



4K Ultra HD 3840 x 2160 Sensor	13x - 140x Magnification 22mm - 214mm Working Distance	HDMI and USB Output Connect to an HDMI monitor or PC	Articulating Arm Stand Raise, lower and rotate the arm to the ideal position
--	--	---	---



4K Ultra HD Sensor

Capture images at 3840 x 2160 pixels

Cyclops 4K

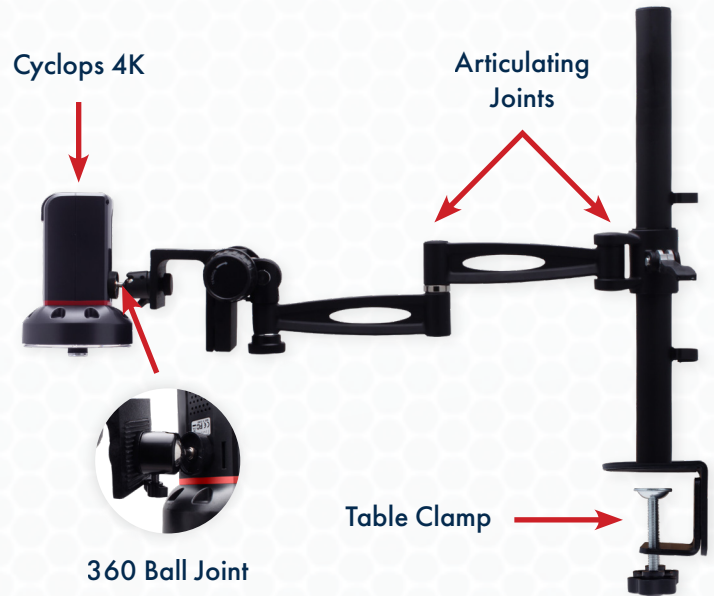
Ultra HD Digital Microscope

with Articulating Arm Stand

This innovative digital microscope system features an **articulating arm stand**. Operators can inspect on a monitor via HDMI or PC via USB while also having the ability to position the microscope by raising, lowering and rotating the articulating arm.

Key Features

- Capture images in 4K (3840 x 2160 pixels)
- 13x - 140x Magnification (Based on a 24" monitor)
- Articulating Arm Stand with 360 Ball Joint and Table Clamp (Raise, lower, and rotate to the ideal position)
- Working Distance: 0.86" - 8.42" (22 mm - 214 mm)
- MicroSD Card Slot (Save images)
- PC Software (Image/video capture, measure, annotate, and more!)



Cyclops 4K Ultra HD with Articulating Arm Stand	
Item #	26700-424-553
Magnification	13x - 140x (Based on a 24" HD Monitor)
Working Distance	0.86" - 8.42" (22 mm - 214 mm)
CMOS Sensor	8 million pixels CMOS sensor
Ports	HDMI USB 2.0 MicroSD
Illumination	30 Adjustable White LEDs
Package Contents	<ul style="list-style-type: none"> • Cyclops 4K Ultra HD • Cyclops IR Remote Control • 4x Objective Lens • 2GB microSD Card • Articulating Arm Stand (26800B-553) • 360 Ball Joint (26700-412) • N-Type Focus Mount with E-Arm • 22" LCD Monitor (26700-406)