



Overhead Air Ionizer 991



Overhead Air Ionizer 991

Using steady state DC ion emission, the 3M™ Overhead Air Ionizer 991 provides consistent static control coverage. With its overhead mounting system, the ionizer doesn't compromise valuable space on the workbench, allowing for neutralization of static charges. The steady-state DC ion emission enables fast discharge with low airflow, providing a more comfortable work environment for operators. Emitter points are placed behind the fan to eliminate field-induced charge and to ensure a homogeneous mixture of ionized air. Also featured are open-cell foam filters on the fan intakes, protecting the internal components from environmental contamination.

Features and Benefits

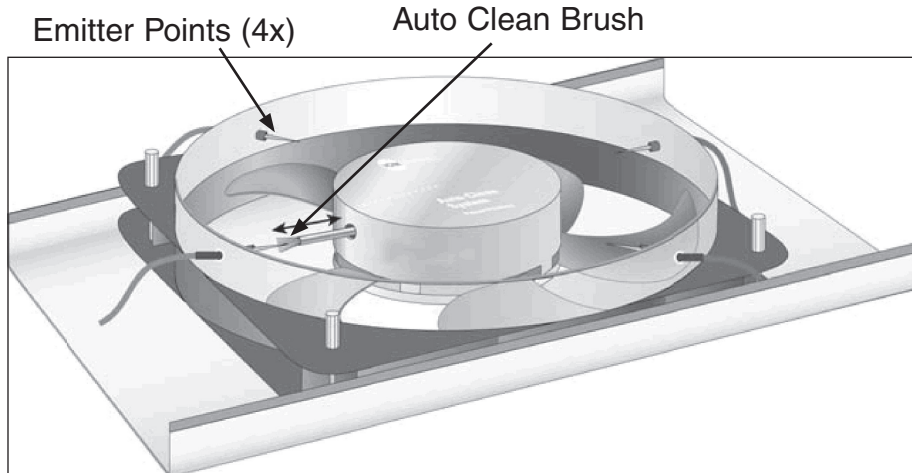
- Alarm relay closure circuitry
- Bi-color LED indicator
- 44 inches with three fans
- High and low speeds
- Self balanced; no calibration needed
- Visual performance indicator: green for normal operation and red signals an operational failure alarm
- Broad static neutralization over the workbench
- Reduces manual emitter point cleanings

3M™ Overhead Air Ionizer 991

Specifications	
Property	Typical Values
Ion Emission	Steady state (DC)
Emitter Points	0.12 in. (3.048 mm) tungsten wire, internally shielded, 2 year life estimated
Air Flow	114 CFM (per fan, high speed, free-air)
Audible Noise	63 dB, high fan speed 57 dB, low fan speed
Power Inlet	IEC60320 (with removable line cord)
Input Voltage	100-230 VAC, 50/60 Hz, 27 watts max.
Input Current	0.4A max.
Power	27W max.
Discharge Time	≤ 8 seconds directly under each fan at 18 in. (46 cm) distance, high fan speed
Offset Voltage Balance	≤ ±20 volts directly under each fan at 18 in. (46 cm) distance; high fan speed
Power Outlet	IEC60320 female, unfused, 5A maximum load
Alarm Relay Closure	Modular handset jack, rated 1A maximum, 30 volts
Coverage Area	2 ft. x 4 ft. (61 cm x 122 cm) directly under ionizer
Controls	Power/fan speed slide switch: high/off/low settings
Indicators	Bi-color LED: green power ON; red power supply failure
Daisy-Chain Capacity	10 units maximum
Chassis	Aluminum with epoxy-polyester powder coated
Mounting	Four eyebolts and 1 1/8 in. S-hooks provided
Dimensions	44 in. L x 6 in. W x 4 in. H (111.7 cm L x 15.2 cm W x 10.1 cm H)
Operating Environment	Temperature: 50°-95° F (10°-35° C) Humidity: 20-55% RH (non-condensing)
Ozone Level	< 0.010 ppm
RoHS Compliant	Yes
Weight	10 lb (4.5 kg)
Certifications	cULus, TUV-GS, CE, C-Tick
Warranty	1 year limited

Auto-Clean System

The Auto-Clean System features a brush mechanism that sweeps the emitter points when the ionizer is turned off and on, allowing the ionizer to always perform at optimum ion output and balance. During operation of the fan, the brush automatically retracts to prevent emitter point wear. The Auto-Clean System brush will extend as the fan slows to a stop. 3M recommends activating the Auto-Clean System at least once a week. Cleaning schedules will vary depending on environmental conditions and application requirements. This automated feature results in reduced operation costs due to lower maintenance.



Ordering Information

98-0798-5683-1 3M™ Overhead Air Ionizer 991 with North America Power Cord
98-0798-5684-9 3M™ Overhead Air Ionizer 991 with UK Power Cord
98-0798-5694-8 3M™ Overhead Air Ionizer 991 with Germany Power Cord
98-0798-5695-5 3M™ Overhead Air Ionizer with China Power Cord
98-0798-5696-3 3M™ Replacement Filters 991-F, 3 Filters/Pkg.

Important Notice

All statements, technical information, and recommendations related to 3M's products are based on information believed to be reliable, but the accuracy or completeness is not guaranteed. Before using this product, you must evaluate it and determine if it is suitable for your intended application. You assume all risks and liability associated with such use. Any statements related to the product which are not contained in 3M's current publications, or any contrary statements contained on your purchase order shall have no force or effect unless expressly agreed upon, in writing, by an authorized officer of 3M.

Warranty; Limited Remedy; Limited Liability.

This product will be free from defects in material and manufacture for a period of one year from the time of purchase. **3M MAKES NO OTHER WARRANTIES INCLUDING, BUT NOT LIMITED TO, ANY IMPLIED WARRANTY OF MERCHANTABILITY OR FITNESS FOR A PARTICULAR PURPOSE.** If this product is defective within the warranty period stated above, your exclusive remedy shall be, at 3M's option, to replace or repair the 3M product or refund the purchase price of the 3M product. **Except where prohibited by law, 3M will not be liable for any indirect, special, incidental or consequential loss or damage arising from this 3M product, regardless of the legal theory asserted.**



3M Electronics

6801 River Place Blvd.
Austin, TX 78726-9000
800/328-1368
www.3M.com/electronics