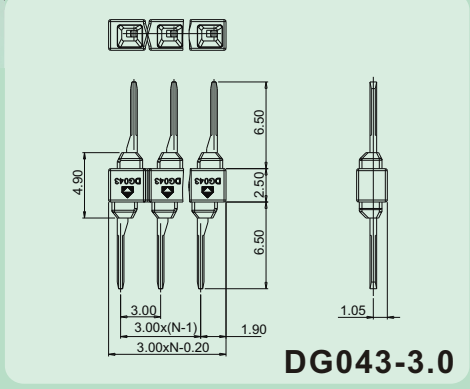
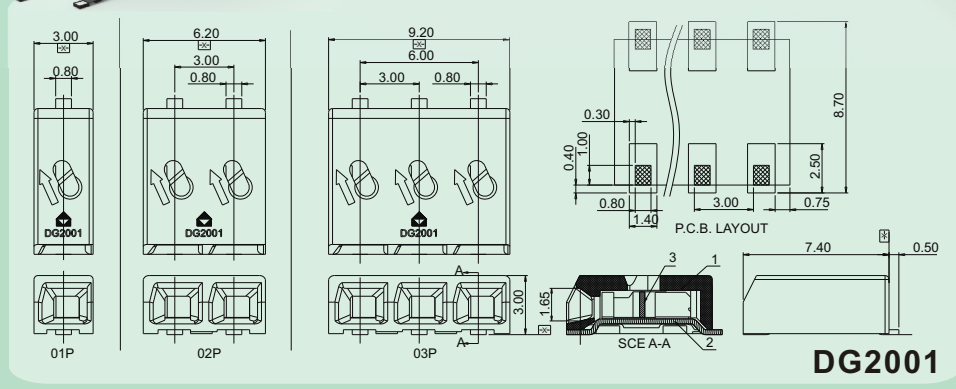


DG2001/DG043-3.0

- SMD连接技术;
 - 直插式接线方式;
 - 有取线工具, 取线方便;
 - 快速实现电位桥接;
 - 高度仅为3mm;
 - 卷带包装, 方便自动化组装。
- SMD connection technology;
 - Push-in termination;
 - Easy conductor removal via operating tool;
 - Potential can be bridged quickly;
 - Low profile of just 3.0 mm;
 - Available in tape-and-reel packaging for automated assembly.



技术参数 Technical data

APPROVAL: CE  US

型号 Model	线径 Wire range (AWG/mm ²)	线数 Poles	IEC60947技术参数 (IEC60947 data sheet)		UL1977技术参数 (UL1977 data sheet)	
			电压(V) Rated voltage	电流(A) Rated current	电压(V) Rated voltage	电流(A) Rated current
DG2001	26-22sol/0.14-0.34sol	01-03P	160	3	300	3
DG043-3.0	-	01-03P	160	3	300	3

应用行业 Application

LED照明行业 LED Lighting



产品包装方式 Packing

Product model	Pcs./Pkt.
DG2001-01P	1500
DG2001-02P	1000
DG2001-03P	750
DG043-3.0-01P	250
DG043-3.0-02P	250
DG043-3.0-03P	250

型号对照 Cross reference

DEGSON	同行1/Competitor1	同行2/Competitor2
DG2001	W/2059	-
DG043-3.0	-	-

产品订货 How to order

