

30mm SEALED PIEZO SWITCHES NOW AVAILABLE FROM APEM

APEM expands its range of piezo switches with a new fully-sealed version featuring a 30mm diameter bushing. Exclusively available on PBA Series 30mm models, the prominent ring option increases the visibility of the switch, and is available in single colour, bi-colour and tri-colour versions.

FEATURES:

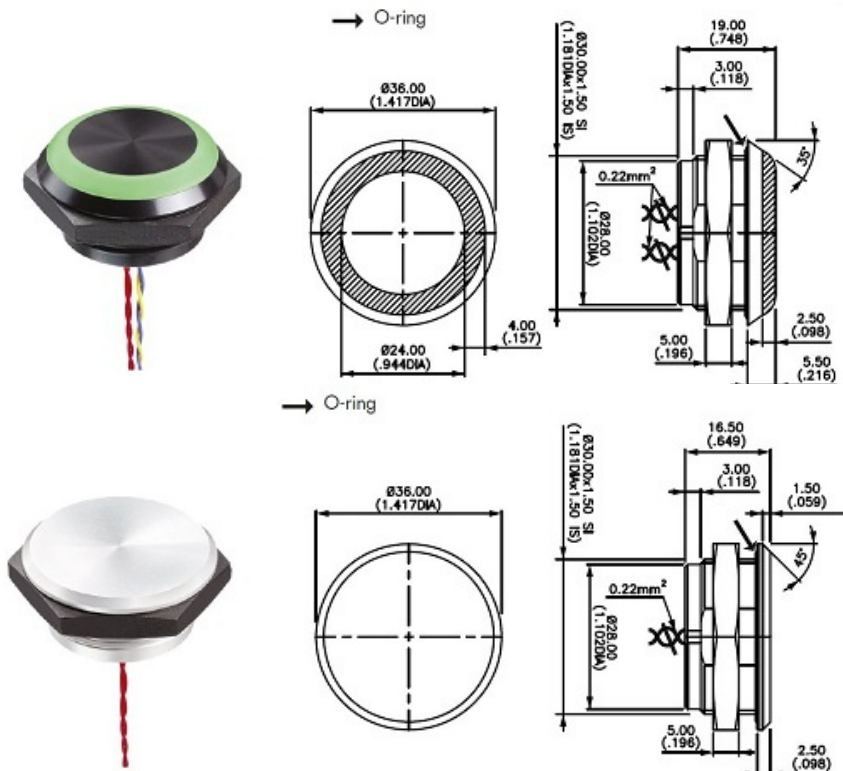
- Bushing diameter 30mm
- Sealed to IP68 and IP69K (switches mounted on panel)
- Easy to clean metal surface
- Very long life expectancy
- Ring illumination: flush or prominent



[Request Samples](#)

[Download Data Sheets](#)

SPECIFICATIONS:



General specifications

- Operating force: 6 to 12 N
- Torque: 1.5 Nm min.-10 Nm max

Environmental specifications

- Sealing: IP68 per IEC 60529, IP69K per DIN 40050-9 (switches mounted on panel)
- Operating temperature : -40 °C to +75 °C

Electrical specifications

- Max. current/voltage rating with resistive load: 1A 24VAC/DC
- Switch resistance ON: 10 Ω max.
- Switch resistance OFF: 5 MΩ min.
- Life expectancy : 50 million cycles
- LED consumption : 20 mA

Materials

- Case: aluminum/anodized/stainless steel 316L
- Multi-wire leads section 0,22 mm² length 300 mm, twisted by pair
- Cable, length 300mm, section depending on switch model