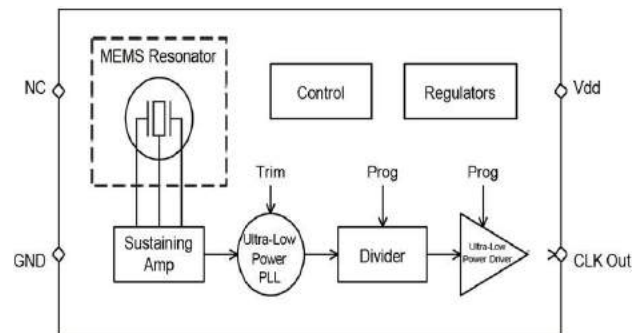


## ILSI America Announces the Launch of the New IM890 Series 32.768 kHz MEMS Clock Oscillator Timing Product

ILSI America LLC is very pleased to announce the launch of its MEMS IM890 Series 32.768 kHz MEMS Clock Oscillator Timing Product. “The addition of MEMS based clocking products is a tremendous addition to our existing Quartz based Frequency Control Product portfolio. Design Engineers who require a 32.768 kHz oscillator to support their microprocessor circuit for Fibre Channel, Server/Storage, GPON/EPON, or 100M / 1G/10 G Ethernet or ruggedized applications on their board now have a MEMS based or Quartz based timing option from ILSI,” said David Stantley, Global Sales and Marketing Manager of ILSI America, LLC. “ILSI is part of a small group of frequency control suppliers worldwide who offer Silicon based MEMS products continuing ILSI’s reputation as a market and technology leader in Frequency Control Solutions.”

### Product Highlights:

- MEMS oscillators use a Silicon based microelectro-mechanical sensor (MEMS) CMOS oscillator circuit
- Shock/Vibration resistance of 10,000 G’s, Shock, 70 G’s Vibration, MIL-STD-883F Method 2002, 2007. Excellent for ruggedized commercial and military/aerospace applications
- Drop in replacement for 2.0 x 1.2 mm ceramic-based LCC products
- Package size of 2.0 x 1.2 mm
- Supply voltage 1.2V to 3.63V
- Current max of 1.4uA under no load
- Frequency tolerance of +/-20 ppm at 25C with +/- 75 ppm stability over -10/+70C and +/-100 ppm stability over -45 deg C to +85 deg
- Eliminates the need for load capacitors in the circuit saving board space
- Available from stock
- Perfect for IoT applications



Diverse Electronics is a fully-licensed distributor of ILSI crystal oscillators, including clock oscillators, MEMS oscillators, VCXO, TCXO, TCVCXO, and OCXO products. To learn more about the MEMS IM890 Series or to request samples, contact your Account Executive or [sales@diverseelectronics.com](mailto:sales@diverseelectronics.com).