




we are
preci-dip

preci

LED

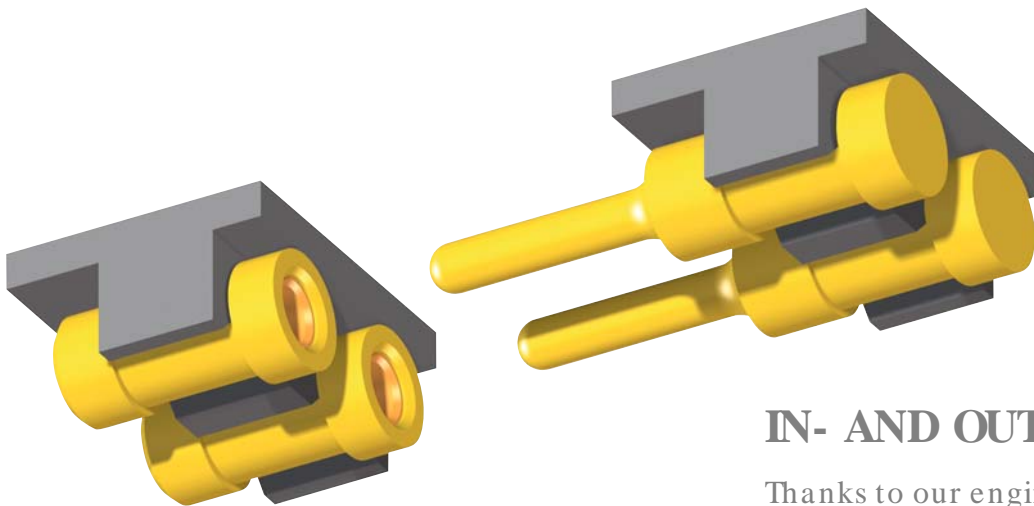


SMART
SOLUTIONS FOR
THE LIGHTING
INDUSTRY

STATE-OF-THE-ART

swiss world connects

WITH CONNECTORS SOLDERED ON A MINIMUM PCD SURFACE, PRECI-DIP MET THE CHALLENGE ONCE AGAIN



CONNECTORS TRIPS

- Socket/pin contacts with HT plastic carrier used as a pick and place cap

BEST OF ALL

Over the past few years LED technology has evolved to become the favourite choice of industrialists and main-street consumers alike. The technology combines efficiency and durability, and addresses space constraints.

At preci-dip we have nurtured these features to make them a hallmark of our innovation. Today, we seek to better control energy conservation and reduce heat emission. Over the years we have managed to blend technology and environmental requirements to produce components that meet the needs of both indoor and outdoor lighting systems.

IN- AND OUTDOORS

Thanks to our engineering team, together with key customers and our sales department, the traditional technologies for both indoor/outdoor lighting systems have given way to products with increased productivity and capable of being easily customized.

Commercial LED production now addresses even more challenging applications as we see this technology as a major advance in the green-tech revolution.

- **REDUCED HEAT EMISSION**
- **BETTER CONTROL OF ENERGY CONSERVATION**
- **INCREASED PRODUCTIVITY**