

DIVERSE
ELECTRONICS

EXPERIENCE EXCELLENCE IN ELECTRONIC SOURCING

Join the many satisfied customers who benefit from our cost-effective sourcing solutions. Connect with us to learn more.

SUBMIT AN RFQ TODAY

WWW.DIVERSEELECTRONICS.COM
1 800 381 7308 / 514 388 7308 · SALES@DIVERSEELECTRONICS.COM



EBIKE CONNECTOR

NINGBO DEGSON ELECTRICAL CO., LTD.

EB 22-E01



ISO9001 ISO14001 ISO80079-34 ISO/TS22163 IATF16949        

Brief Introduction

Founded in 1990, DEGSON is a global solution provider of electrical, electronic and industrial connectors. As a National High-tech enterprise, DEGSON owns the UL and VDE certified laboratory. The company achieved ISO9001, ISO14001, ISO80079-34, ISO/TS22163 and IATF16949 management system certifications.

DEGSON is engaged in supplying highly reliable and durable products to serve global customers. The company has a market-leading capability of mould processing, automatic manufacturing and advanced testing. DEGSON has the complete engineering ability to support global customers with the professional customization solution and value-added service.

DEGSON products are widely recognized in China, the USA, Germany, the UK, Italy, Spain, Turkey, Japan, South Korea, Singapore, etc. totally hundred countries and regions. DEGSON supply high quality products and provide professional services globally in the industry sectors likely industrial automation, instrument, electric power, railway, marine and offshore, new energy, elevator, lighting, security, machinery, e-bike industry, etc. The company won the recognition from partners among Fortune 500 and industry leading enterprises.

Based on the business philosophy of "pragmatic innovation, responsibility, integrity, harmonious development, regulation and win-win", DEGSON continuously integrates professional technical resources, R&D innovation, product manufacturing and technology application capabilities. Relying on global sales network, DEGSON aims to supply series of multiple varieties of high-quality products and services. We provide global customers with professional and quick connected application solutions, help customers continue to create value. DEGSON is making contributions to creating a smart and interconnected world.



First Lab. authorized by UL&VDE in Asia

Strategic cooperation with UL and VDE



① The general manager of UL global energy & technology division visit our company



② Sven Ohrke, President of VDE global services, comes to DEGSON to discuss strategic cooperation



③ VDE Laboratory Accreditation: In July 2010, VDE Issued the "VDE Authorized Laboratory" Certificate to DEGSON's laboratory.

UL laboratory accreditation: UL formally issued "UL WTDP" certification to DEGSON in March 2013. On April, 2016, UL-CTDP. On December, 2016, VDE-TDAP. On January, 2017, Pass IRIS system audit.



ISO9001

ISO14001

ISO/TS22163

UL - CTDP

VDE - TDAP

EX certificate



UL Certificates:10, Covering 4000+Products

VDE Certificates:175, Covering 3000+Products

TUV certificate

EAC certificate

CE certificate

European invention patent



EBBL CIRCULAR POWER PLUG

Application Scope

EBIKE battery interface connection

Product Features

- Fast connection straightly and directly.
- Auditory and visual feedback after connecting in place.
- High mechanical life.
- Beautiful appearance meet ergonomic design.



EBBL Straight Plug

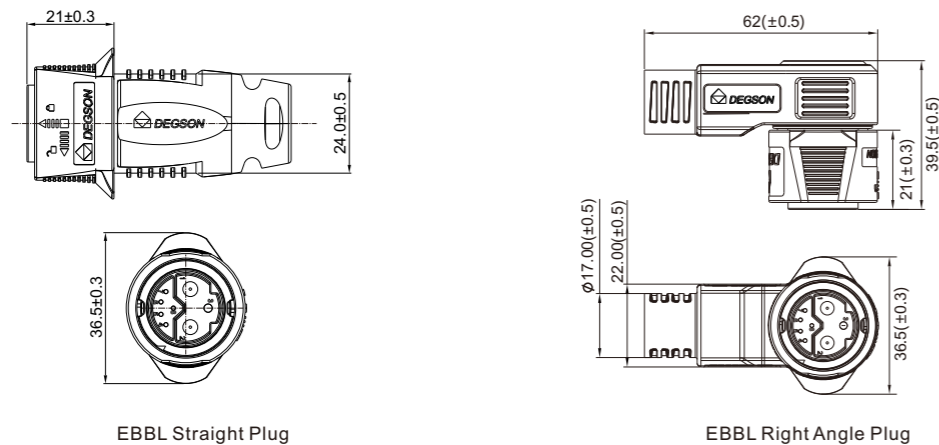


EBBL Right Angle Plug

Technical Data

Rated current	Power 50A , signal 2A	Wiring connection	Soldering
Rated voltage	110V DC	Salt spray resistance	Neutral salt spray 72h
Insulation resistance	≥100MΩ	Withstand voltage	500V AC
Flame retardant rating	UL94V-0	Mechanical life	≥3000 times
Operating temperature	- 40°C ~ + 105°C	Extraction force	> 25N
IP grade	IP67 when mated , IP67 when only receptacle	Environmental protection	Meet RoHS

Dimension Figure



EBBL Straight Plug

EBBL Right Angle Plug

EBBL CIRCULAR POWER SOCKET

Application Scope

EBIKE battery interface connection

Product Features

- Fast connection straightly and directly.
- Auditory and visual feedback after connecting in place.
- High mechanical life.
- Beautiful appearance meet ergonomic design.

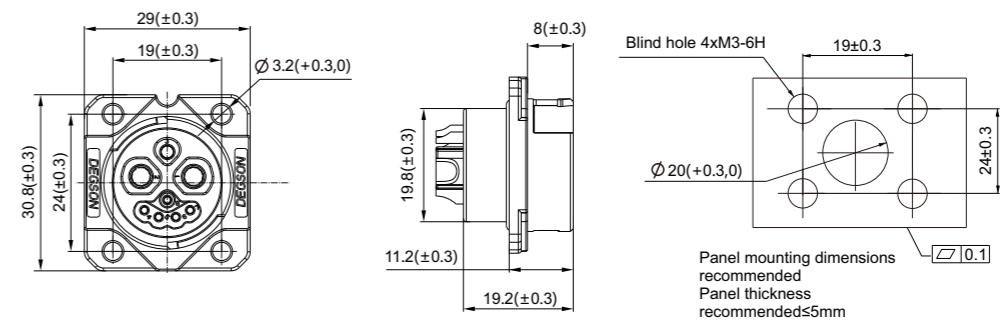


EBBL Socket

Technical Data

Rated current	Power 50A , signal 2A	Wiring connection	Soldering
Rated voltage	110V DC	Salt spray resistance	Neutral salt spray 72h
Insulation resistance	≥100MΩ	Withstand voltage	500V AC
Flame retardant rating	UL94V-0	Mechanical life	≥3000 times
Operating temperature	- 40°C ~ + 105°C	Extraction force	> 25N
IP grade	IP67 when mated , IP67 when only receptacle	Environmental protection	Meet RoHS

Dimension Figure



EBBL Socket

EBBM CIRCULAR POWER PLUG

Application Scope

EBIKE battery interface connection

Product Features

- Fast connection straightly and directly.
- Auditory and visual feedback after connecting in place.
- High mechanical life.
- Beautiful appearance meet ergonomic design.

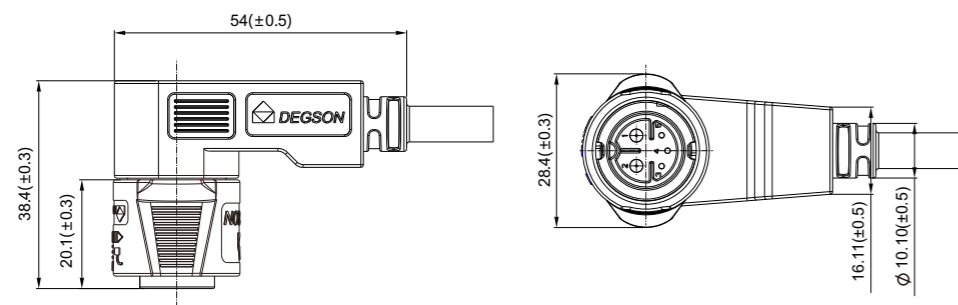


EBBM Right Angle Plug

Technical Data

Rated current	Power 20A , signal 2A	Wiring connection	Soldering
Rated voltage	110V DC	Salt spray resistance	Neutral salt spray 72h
Insulation resistance	≥100MΩ	Withstand voltage	500V AC
Flame retardant rating	UL94V-0	Mechanical life	≥3000 times
Operating temperature	- 40°C ~ + 85°C	Extraction force	> 20N
IP grade	IP67 when mated , IP67 when only receptacle	Environmental protection	Meet RoHS

Dimension Figure



EBBM Right Angle Plug

EBBM CIRCULAR POWER SOCKET

Application Scope

EBIKE battery interface connection

Product Features

- Fast connection straightly and directly.
- Auditory and visual feedback after connecting in place.
- High mechanical life.
- Beautiful appearance meet ergonomic design.

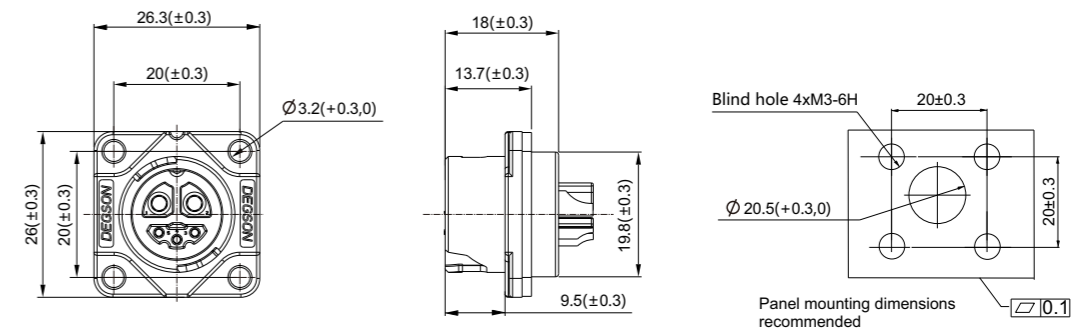


EBBM Socket

Technical Data

Rated current	Power 20A , signal 2A	Wiring connection	Soldering
Rated voltage	110V DC	Salt spray resistance	Neutral salt spray 72h
Insulation resistance	≥100MΩ	Withstand voltage	500V AC
Flame retardant rating	UL94V-0	Mechanical life	≥3000 times
Operating temperature	- 40°C ~ + 85°C	Extraction force	> 20N
IP grade	IP67 when mated , IP67 when only receptacle	Environmental protection	Meet RoHS

Dimension Figure



EBBM Socket

EBBR RECTANGULAR POWER PLUG

Application Scope

EBIKE battery interface connection

Product Features

- Fast connection straightly and directly.
- Handle structure can be used to help unlock, when product pulled out.
- High mechanical life.
- Beautiful appearance meet ergonomic design.

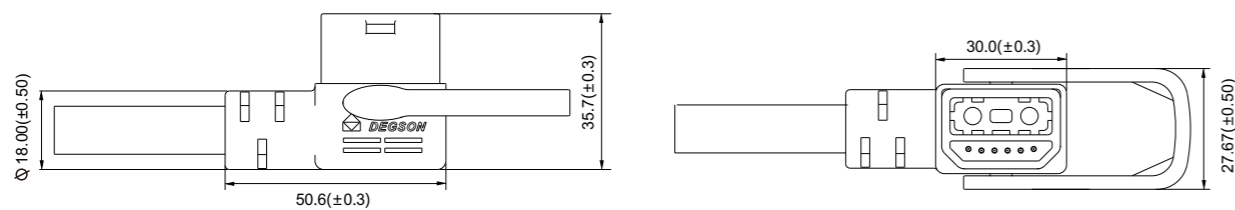


EBBM Right Angle Plug

Technical Data

Rated current	Power40A , signal 2A	Wiring connection	Soldering
Rated voltage	110V DC	Salt spray resistance	Neutral salt spray 72h
Insulation resistance	≥100MΩ	Withstand voltage	500V AC
Flame retardant rating	UL94V-0	Mechanical life	≥3000 times
Operating temperature	- 40°C ~ + 105°C	Extraction force	> 30N
IP grade	IP67 when only receptacle	Environmental protection	Meet RoHS

Dimension Figure



EBBM Right Angle Plug

EBBR RECTANGULAR POWER SOCKET

Application Scope

EBIKE battery interface connection

Product Features

- Fast connection straightly and directly.
- Handle structure can be used to help unlock, when product pulled out.
- High mechanical life.
- Beautiful appearance meet ergonomic design.

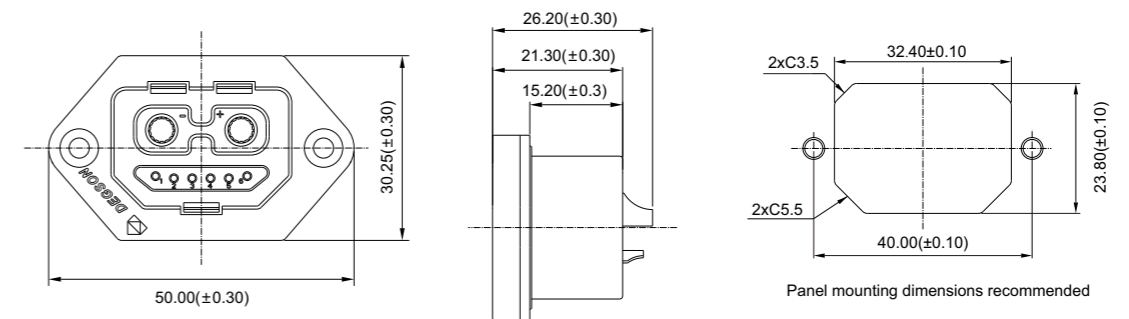


EBBR Socket

Technical Data

Rated current	Power40A , signal 2A	Wiring connection	Soldering
Rated voltage	110V DC	Salt spray resistance	Neutral salt spray 72h
Insulation resistance	≥100MΩ	Withstand voltage	500V AC
Flame retardant rating	UL94V-0	Mechanical life	≥3000 times
Operating temperature	- 40°C ~ + 105°C	Extraction force	> 30N
IP grade	IP67 when only receptacle	Environmental protection	Meet RoHS

Dimension Figure



EBBR Socket

EBBF EXCHANGE BATTERY CONNECTOR FOR VEHICLE SIDE

Application Scope

EBIKE battery interface connection for exchanging battery scenarios

Product Features

- The products are matched with each other and have the function of positive and negative insertion.
- The floating amount when the product inserted can compensate the gap between the vehicle body and the battery.
- Alignment and insertion of guide pin conveniently and fastly.
- High mechanical life.

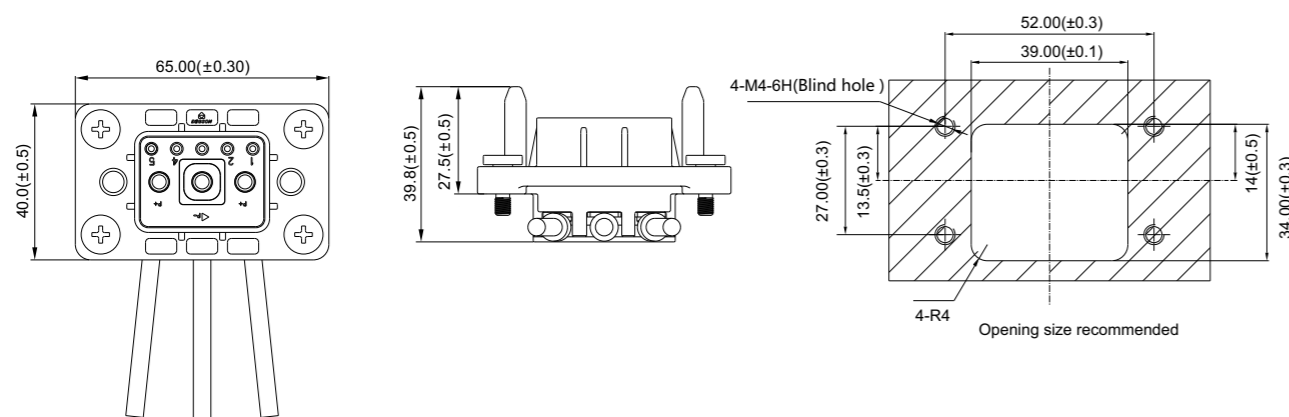


EBBF Exchange Battery Connector For Vehicle Side

Technical Data

Rated current	Power 60A , signal 5A	Wiring connection	Soldering
Rated voltage	72V DC	Salt spray resistance	Neutral salt spray 72h
Insulation resistance	≥500MΩ	Withstand voltage	1500V AC
Flame retardant rating	UL94V-0	Mechanical life	≥5000 times
Operating temperature	- 40°C ~ + 105°C	Extraction force	> 50N
IP grade	IP67 when only receptacle	Environmental protection	Meet RoHS

Dimension Figure



EBBF Exchange Battery Connector For Vehicle Side

EBBF EXCHANGE BATTERY CONNECTOR FOR BATTERY SIDE

Application Scope

EBIKE battery interface connection for exchanging battery scenarios

Product Features

- The products are matched with each other and have the function of positive and negative insertion.
- The floating amount when the product inserted can compensate the gap between the vehicle body and the battery.
- Alignment and insertion of guide pin conveniently and fastly.
- High mechanical life.

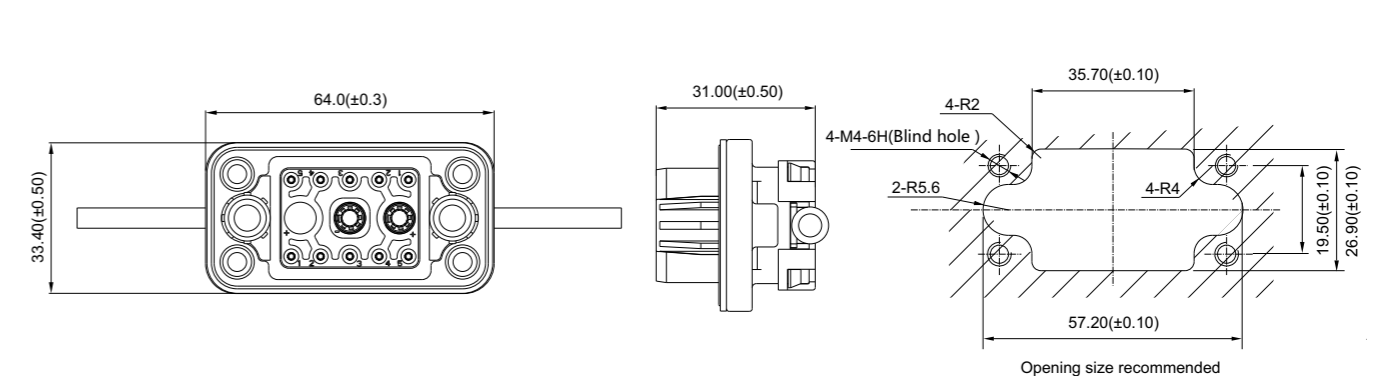


EBBF Exchange Battery Connector For Battery Side

Technical Data

Rated current	Power 60A , signal 5A	Wiring connection	Soldering
Rated voltage	72V DC	Salt spray resistance	Neutral salt spray 72h
Insulation resistance	≥500MΩ	Withstand voltage	1500V AC
Flame retardant rating	UL94V-0	Mechanical life	≥5000 times
Operating temperature	- 40°C ~ + 105°C	Extraction force	> 50N
IP grade	IP67 when only receptacle	Environmental protection	Meet RoHS

Dimension Figure



EBBF Exchange Battery Connector For Battery Side

EBM E-MOTOR MALE CONNECTOR

Application Scope

EBIKE e-motor interface connection

Product Features

- Compact structure and high space utilization.
- The male connector protect the terminal providing with a protective cover.
- Operation simply in the way of straight mating.
- Beautiful appearance meet ergonomic design.

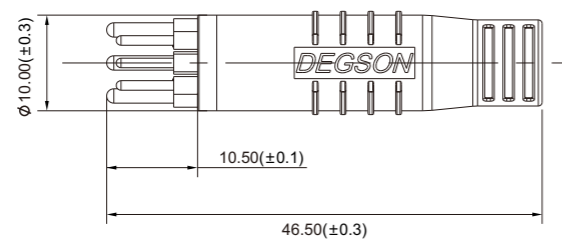


EBM Male Side

Technical Data

Rated current	Power 15A , signal 2A	Wiring connection	Soldering
Rated voltage	60V AC	Salt spray resistance	Neutral salt spray 48h
Insulation resistance	≥30MΩ	Withstand voltage	500V AC
Flame retardant rating	UL94V-0	Mechanical life	≥100 times
Operating temperature	- 25°C ~ +80°C	Extraction force	> 60N
IP grade	IP67 when mated	Environmental protection	Meet RoHS

Dimension Figure



EBM Male Side

EBM E-MOTOR FEMALE CONNECTOR

Application Scope

EBIKE e-motor interface connection

Product Features

- Compact structure and high space utilization.
- The male connector protect the terminal providing with a protective cover.
- Operation simply in the way of straight mating.
- Beautiful appearance meet ergonomic design.

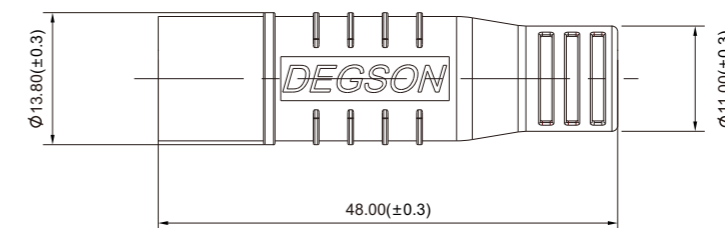


EBM Female Side

Technical Data

Rated current	Power 15A , signal 2A	Wiring connection	Soldering
Rated voltage	60V AC	Salt spray resistance	Neutral salt spray 48h
Insulation resistance	≥30MΩ	Withstand voltage	500V AC
Flame retardant rating	UL94V-0	Mechanical life	≥100 times
Operating temperature	- 25°C ~ +80°C	Extraction force	> 60N
IP grade	IP67 when mated	Environmental protection	Meet RoHS

Dimension Figure



EBM Female Side

EBS SIGNAL MALE SIDE CONNECTORS

Application Scope

This product can be applied to horn, light and brake handle of EBIKE.

Product Features

- Compact structure and high space utilization.
- Automatic alignment when mating and Simple interface.
- Operation simply in the way of straight mating.
- Different colour contribute to recognise.
- Beautiful appearance meet ergonomic design.

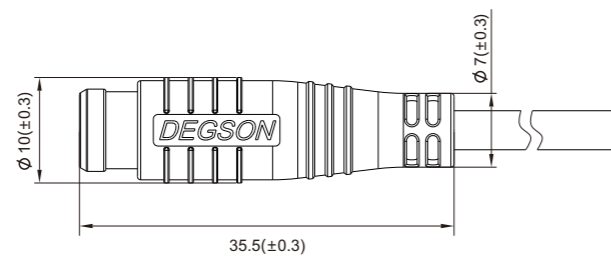


EBS Male Side

Technical Data

Rated current	2A	Wiring connection	Soldering
Rated voltage	48V DC	Salt spray resistance	Neutral salt spray 48h
Insulation resistance	$\geq 30M\Omega$	Withstand voltage	300V AC
Flame retardant rating	UL94V-0	Mechanical life	≥ 100 times
Operating temperature	- 25°C ~ + 80°C	Extraction force	> 25N
IP grade	IP66 when mated	Environmental protection	Meet RoHS

Dimension Figure



EBS Male Side

EBS SIGNAL FEMALE SIDE CONNECTORS

Application Scope

This product can be applied to horn, light and brake handle of EBIKE.

Product Features

- Compact structure and high space utilization.
- Automatic alignment when mating and Simple interface.
- Operation simply in the way of straight mating.
- Different colour contribute to recognise.
- Beautiful appearance meet ergonomic design.

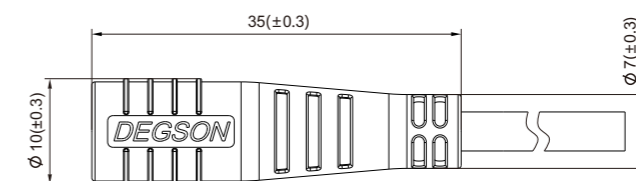


EBS Female Side

Technical Data

Rated current	2A	Wiring connection	Soldering
Rated voltage	48V DC	Salt spray resistance	Neutral salt spray 48h
Insulation resistance	$\geq 30M\Omega$	Withstand voltage	300V AC
Flame retardant rating	UL94V-0	Mechanical life	≥ 100 times
Operating temperature	- 25°C ~ + 80°C	Extraction force	> 25N
IP grade	IP66 when mated	Environmental protection	Meet RoHS

Dimension Figure



EBS Female Side

EBBH 120A POWER PLUG

Application Scope

E-motorcycle battery interface connection

Product Features

- Fast connection straightly and directly.
- Lock structure can be used when product mated .
- Auditory and visual feedback after connecting in place.
- Appearance is maller and compact,leaving enough space to bend.
- High mechanical life.
- Beautiful appearance meet ergonomic design.

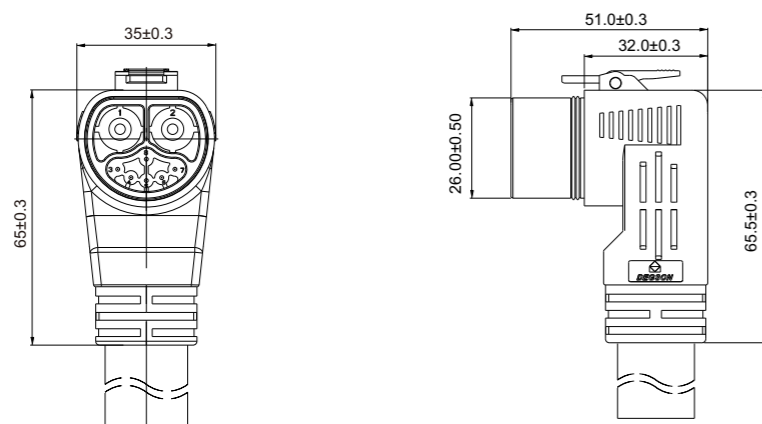


EBBH 120A Right Angle Plug

Technical Data

Rated current	Power 120A , signal 2A	Wiring connection	Soldering,Crimping
Rated voltage	630V DC	Salt spray resistance	Neutral salt spray 72h
Insulation resistance	≥100MΩ	Withstand voltage	1500V AC
Flame retardant rating	UL94V-0	Mechanical life	≥3000 times
Operating temperature	- 40°C ~ + 105°C	Extraction force	> 50N
IP grade	IP67 when mated & receptacle side	Environmental protection	Meet RoHS

Dimension Figure



EBBH 120A Right Angle Plug

EBBH 120A POWER SOCKET

Application Scope

EBIKE battery charging and discharging port

Product Features

- Fast connection straightly and directly.
- Lock structure can be used when product mated .
- Auditory and visual feedback after connecting in place.
- Appearance is maller and compact,leaving enough space to bend.
- High mechanical life.
- Beautiful appearance meet ergonomic design.

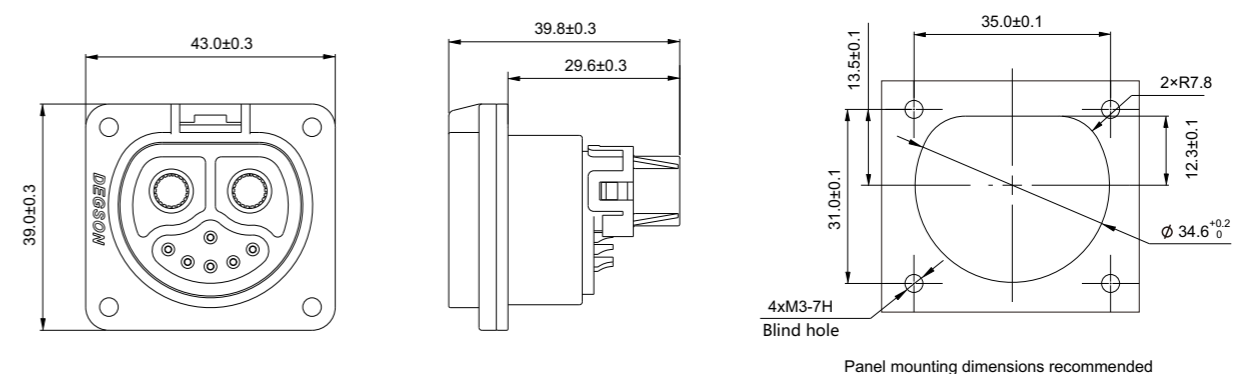


EBBH 120A Power Socket

Technical Data

Rated current	Power 120A , signal 2A	Wiring connection	Soldering,Crimping
Rated voltage	630V DC	Salt spray resistance	Neutral salt spray 72h
Insulation resistance	≥100MΩ	Withstand voltage	1500V AC
Flame retardant rating	UL94V-0	Mechanical life	≥3000 times
Operating temperature	- 40°C ~ + 105°C	Extraction force	> 50N
IP grade	IP67 when mated & receptacle side	Environmental protection	Meet RoHS

Dimension Figure



EBBH 120A Power Socket

EBBH 120A CHARGING INLET

Application Scope

E-motorcycle charging port

Product Features

- Fast connection straightly and directly.
- Lock structure can be used when product mated .
- Auditory and visual feedback after connecting in place.
- Appearance is maller and compact,leaving enough space to bend.
- High mechanical life.
- Beautiful appearance meet Ergonomic design.
- Receptacle with cover flap can effectively protect the interface.

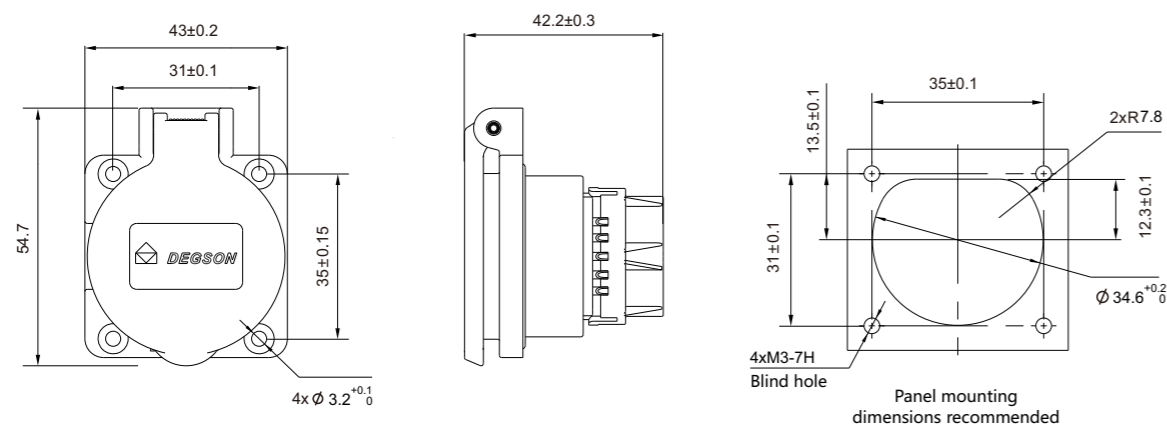


EBBH 120A Charging Inlet

Technical Data

Rated current	Power 120A , signal 2A	Wiring connection	Soldering,Crimping
Rated voltage	72V AC	Salt spray resistance	Neutral salt spray 48h
Insulation resistance	≥100MΩ	Withstand voltage	1500V AC
Flame retardant rating	UL94V-0	Mechanical life	≥3000 times
Operating temperature	- 40°C ~ + 105°C	Extraction force	> 50N
IP grade	IP67 when mated & receptacle side	Environmental protection	Meet RoHS

Dimension Figure



EBBH 120A Charging Inlet

EBBH 80A POWER PLUG

Application Scope

E-motorcycle battery interface connection

Product Features

- Fast connection straightly and directly.
- Locking structure can work when products mated.
- Auditory and visual feedback after connecting in place.
- High mechanical life.
- Appearance is maller and compact,leaving enough space to bend.
- Beautiful appearance meet ergonomic design.

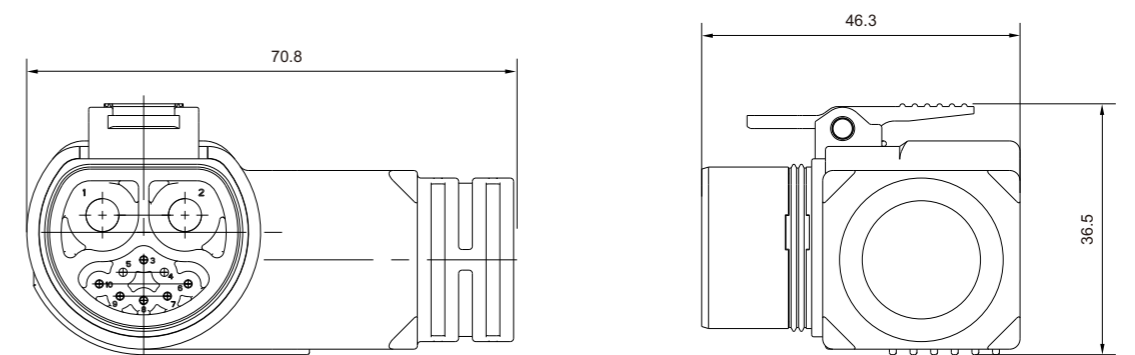


EBBH 80A Plug For Battery Side

Technical Data

Rated current	Power 80A , signal 2A	Wiring connection	Soldering,Crimping
Rated voltage	72 DC	Salt spray resistance	Neutral salt spray 72h
Insulation resistance	≥100MΩ	Withstand voltage	1500V AC
Flame retardant rating	UL94V-0	Mechanical life	≥3000 times
Operating temperature	- 40°C ~ + 105°C	Extraction force	> 50N
IP grade	IP67 when mated & receptacle side	Environmental protection	Meet RoHS

Dimension Figure



EBBH 80A Plug For Battery Side

EBBH 80A POWER SOCKET

Application Scope

E-motorcycle battery interface connection

Product Features

- Fast connection straightly and directly.
- Locking structure will work after products mated.
- Auditory and visual feedback after connecting in place.
- High mechanical life.
- Appearance is maller and compact,leaving enough space to bend.

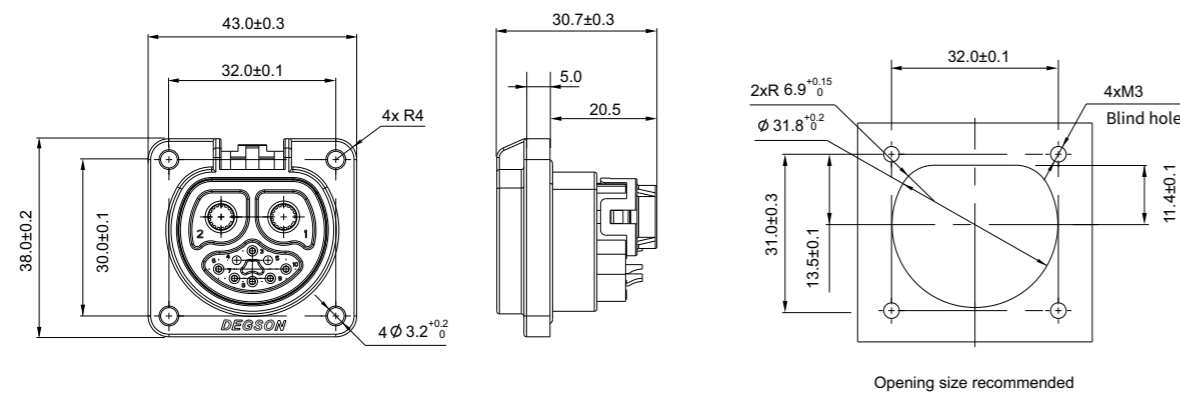


EBBH 80A Power Socket

Technical Data

Rated current	Power 80A, signal 2A	Wiring connection	Soldering,Crimping
Rated voltage	72V DC	Salt spray resistance	Neutral salt spray 72h
Insulation resistance	$\geq 100M\Omega$	Withstand voltage	1500V AC
Flame retardant rating	UL94V-0	Mechanical life	≥ 3000 times
Operating temperature	$-40^{\circ}C \sim +105^{\circ}C$	Extraction force	$>50N$
IP grade	IP67 when mated & receptacle side	Environmental protection	Meet RoHS

Dimension Figure



EBBH 80A Power Socket

EBBH 100A STRAIGHT PLUG

Application Scope

E-motorcycle battery interface connection

Product Features

- Fast connection straightly and directly.
- Lock structure can be used when product mated.
- Auditory and visual feedback after connecting in place.
- Appearance is maller and compact,leaving enough space to bend.
- High mechanical life.
- Beautiful appearance meet Ergonomic design.

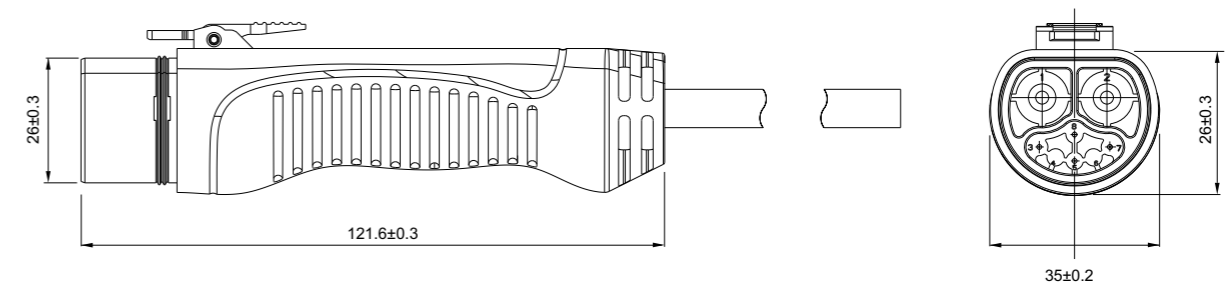


EBBH 100A Straight Plug

Technical Data

Rated current	Power 100A, signal 2A	Wiring connection	Soldering,Crimping
Rated voltage	72V AC	Salt spray resistance	Neutral salt spray 72h
Insulation resistance	$\geq 100M\Omega$	Withstand voltage	1500V AC
Flame retardant rating	UL94V-0	Mechanical life	≥ 3000 times
Operating temperature	$-40^{\circ}C \sim +105^{\circ}C$	Extraction force	$>25N$
IP grade	IP67 when mated	Environmental protection	Meet RoHS

Dimension Figure



EBBH 100A Straight Plug

EBC CHARGING INLET

Application Scope

EBIKE battery interface connection

Product Features

- Receptacle with cover flap can effectively protect the interface.
- High mechanical life.
- Beautiful appearance meet ergonomic design.

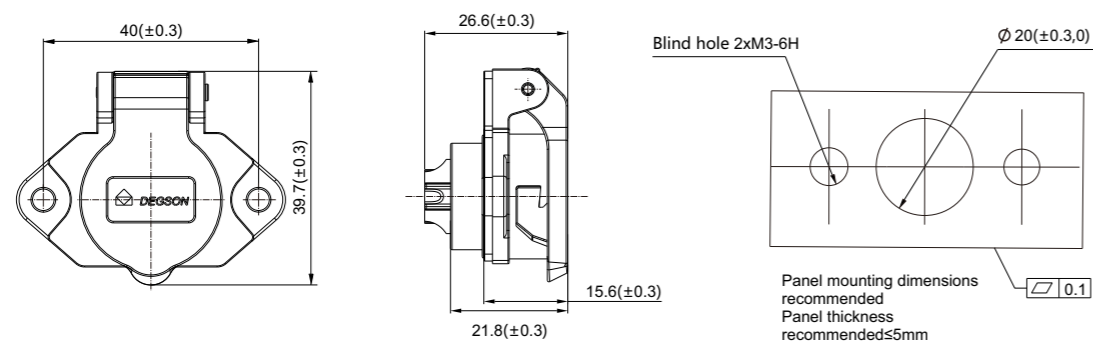


EBC Charging Inlet

Technical Data

Rated current	Power 50A , signal 2A	Wiring connection	Soldering
Rated voltage	110V AC	Salt spray resistance	Neutral salt spray 72h
Insulation resistance	$\geq 100M\Omega$	Withstand voltage	500V AC
Flame retardant rating	UL94V-0	Mechanical life	≥ 3000 times
Operating temperature	- 40°C ~ +105°C	Extraction force	> 25N
IP grade	IP67 when only receptacle	Environmental protection	Meet RoHS

Dimension Figure



EBC Charging Inlet



ENVIRONMENTAL POLICY

DEGSON realizes system regulation without lead in 2005 and has been granted ISO14001 in 2006. All the products conform to the European ROHS requirement.

DEGSON realizes the importance to protect environment resources, selfconsciously meets environment protection requirements for products and regards it as the responsibility. Thus, we have made the following environment strategic policy :

- 1、 To meet customers' demands and obey the national and local laws and regulations as well as other environmental protection requirements.
- 2、 Take environmental protection as one criterion for continuing development of our company. Insist on fully development of quality, benefit and environmental protection.
- 3、 Fully considering the factors which will influence the environment in the processes of product development, manufacturing, material usage and waste processing, establish management system of waste in order to improve the environment of our company.
- 4、 To increase the employees' consciousness of environmental protection through training and to realize the continuing improvement of environment management system and the ability of environmental protection.
- 5、 To make full use of resources and to decrease consumption of material in order to save energy.
- 6、 To promise to our partners and society that we will make contribution to environment protection. There is only one Earth for our humanity.
- 7、 To strive for making conservation-oriented and environment-friendly products through continuous innovation and developing new materials and technology.