

DIVERSE
ELECTRONICS

**EXPERIENCE
EXCELLENCE IN
ELECTRONIC
SOURCING**

Join the many satisfied customers who benefit
from our cost-effective sourcing solutions.
Connect with us to learn more.

SUBMIT AN RFQ TODAY

WWW.DIVERSEELECTRONICS.COM
1 800 381 7308 / 514 388 7308 · SALES@DIVERSEELECTRONICS.COM

Taiwan Oasis Technology Co., Ltd.
李洲科技股份有限公司

Taipei Headquarter 台北總公司

27F, No.97, Sec.1, Xintai 5th Rd., Xizhi Dist., New Taipei City 22175, Taiwan
22175 新北市汐止區新台五路1段97號27樓
Tel +886 2 7728 6688 / Fax +886 2 2697 3658

Taoyuan Manufacturing Center 桃園生產製造中心

No. 348, Shanying Rd., Gueishan Dist, Taoyuan City 33341, Taiwan
33341 桃園縣龜山鄉山鶯路348號
Tel +886 3 273 1111 / Fax +886 3 273 1000

Dongguan Manufacturing Center 東莞生產製造中心

Xin Cheung Industrial City , Xie Gang, Dong- Guan, Guang Dong Province ,China
523596 中國廣東省東莞市謝崗鎮新城工業區
Tel +86 769 8976 6888 / Fax +86 769 8976 6889



**SUPER SLIM
SMD DISPLAY**

Product Catalogue

Oasistek® Taiwan Oasis Technology Co., Ltd.

Introduction

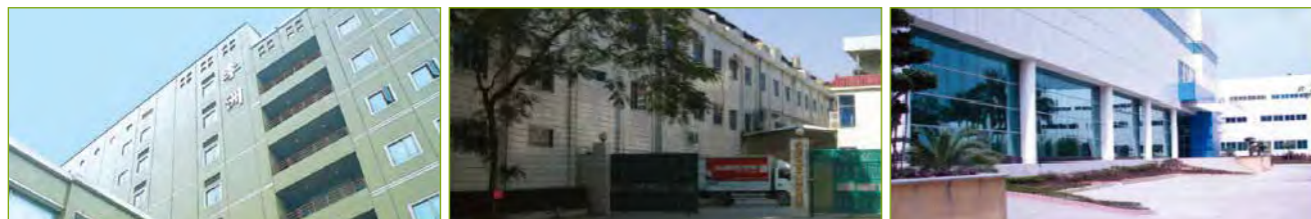
Taiwan Oasis Technology Co., Ltd., was established by Mr. Ming-Shun Lee in 1974 with an ideal to provide the marketplace simplicity, integrity reliability, progress, precision, and innovation.

The company started its life initially as a dedicated downstream LED technology manufacturing service focused on items such as plastic molding, injection and packing.

As Oasistek expanded its business vertically and upgraded its competencies, it soon began to move into producing a complete range of products, such as High Power LEDs, LAMP LEDs, SMD LEDs, LED Displays and Lighting. Additionally, Oasistek also offers customization manufacturing services to help customers' meet their sales targets.

InLED recent years, Oasistek has proudly introduced its LED Video Display and Lumichain™ series to the marketplace. Oasistek has been applauded globally and is reputed as a pioneer in Taiwan for being the 1st Taiwanese LED manufacturer to consistently supply the Japanese market.

Today, Oasistek's complete product line-up is now well represented worldwide and is globally known for their quality and cutting-edge technology. Delivering a full range of services and meeting customers' need is its mission and Oasistek is sincerely inviting you to be a partner and step forward together.



Taiwan Headquarter

China Manufacturing Center

SMD DISPLAY

Surface Mount 7 Segment Display



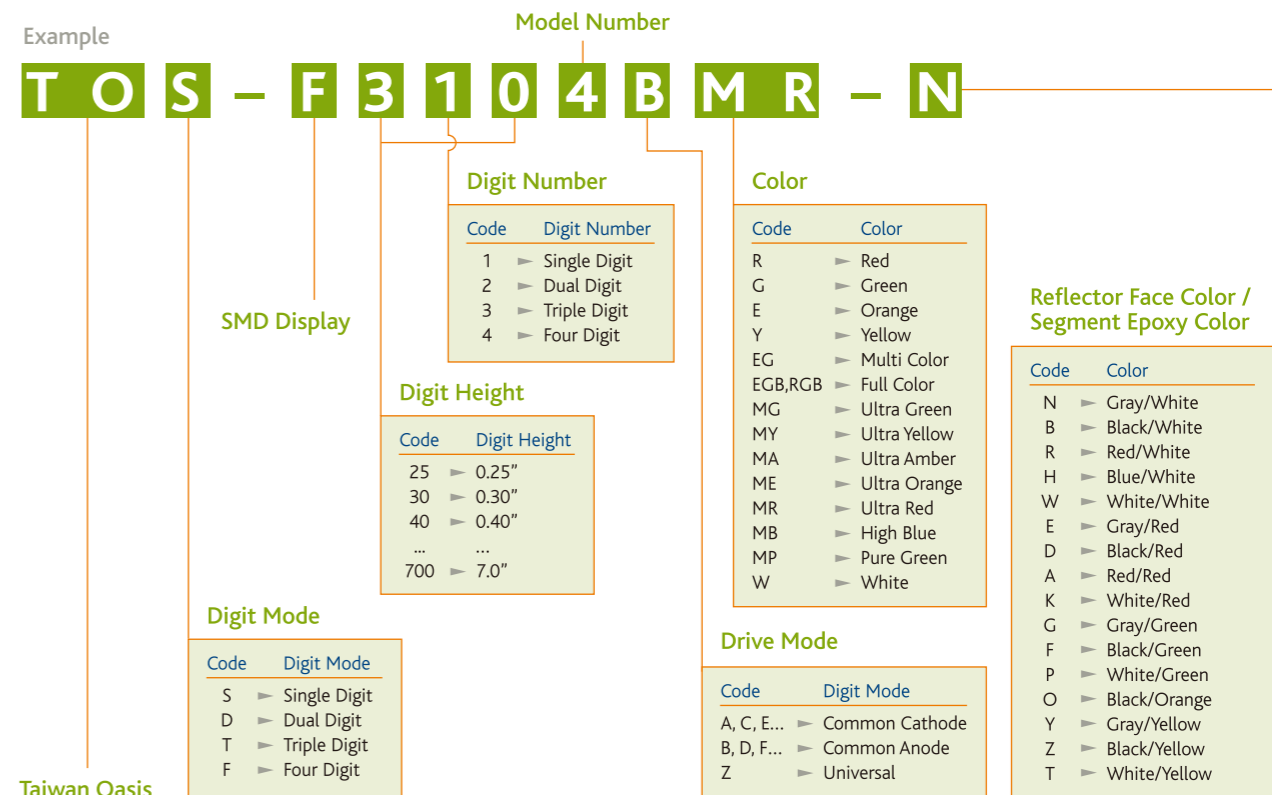
Features

- Heat-resistant Max.240°C
- Gold-wire bonding
- IC compatible
- Excellent color uniformity
- Low current operation available
- Design flexibility
- Conserve energy
- Extra thin package 0.2"~ 0.56"

Application

- Head Up Display(HUD)
- Smart home appliances
- Variable-frequency Drive(VFD)
- Medical and industrial equipments
- Cashier machine & billboard
- Consumer electronics application
- Home appliance display application
- Customization product

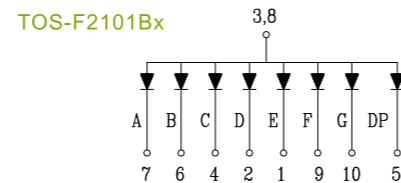
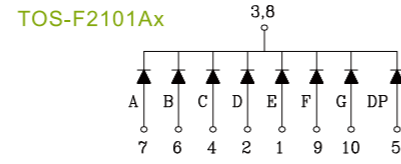
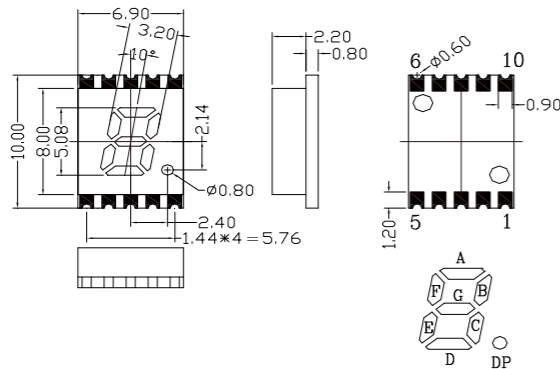
Part Number Formation



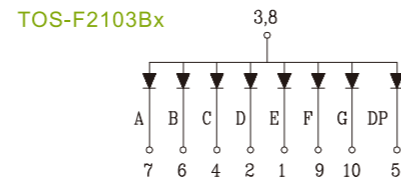
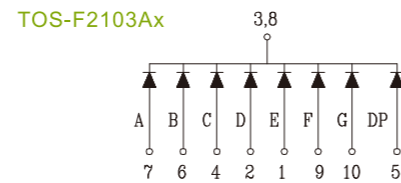
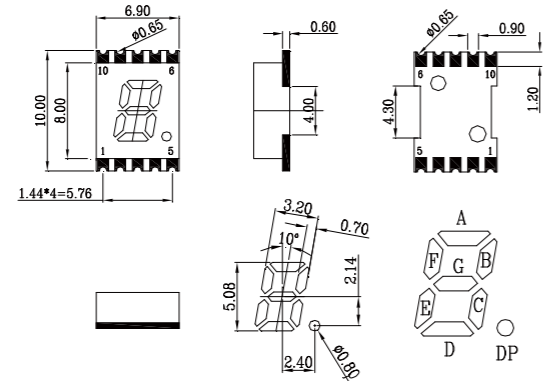


0.2 INCH SMD DISPLAY

TOS-F2101
(Ax/Bx)

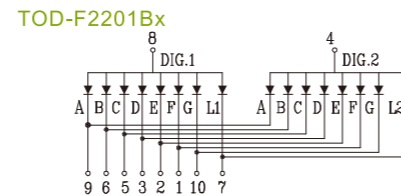
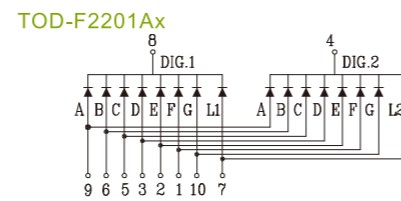
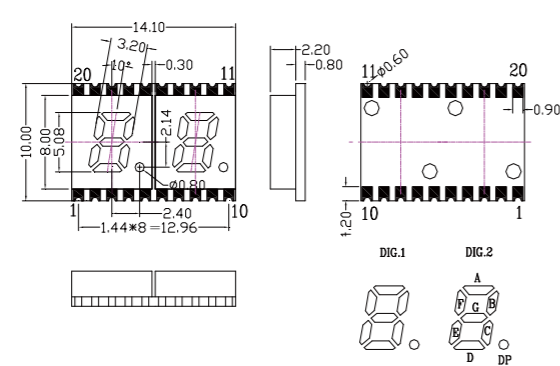


TOS-F2103
(Ax/Bx)

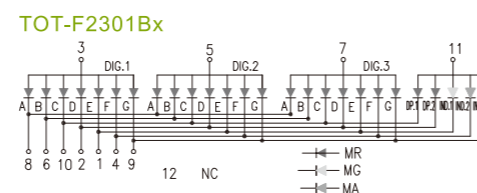
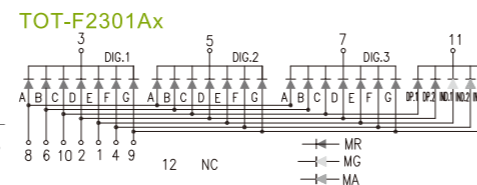
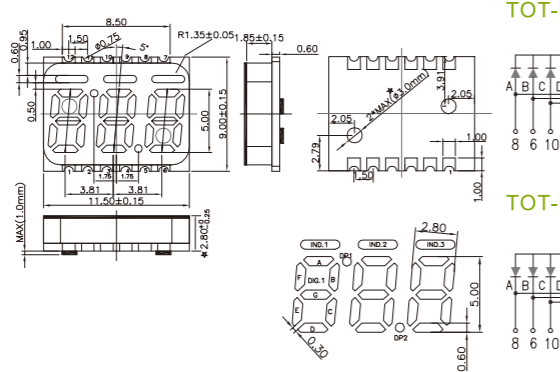


*(需另外開模)

TOD-F2201
(Ax/Bx)

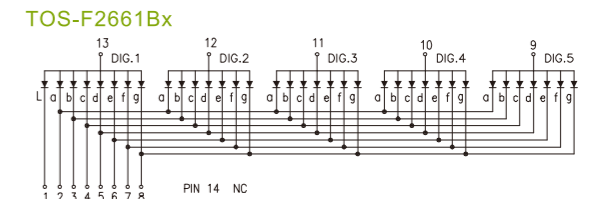
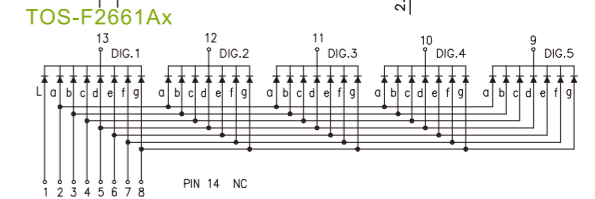
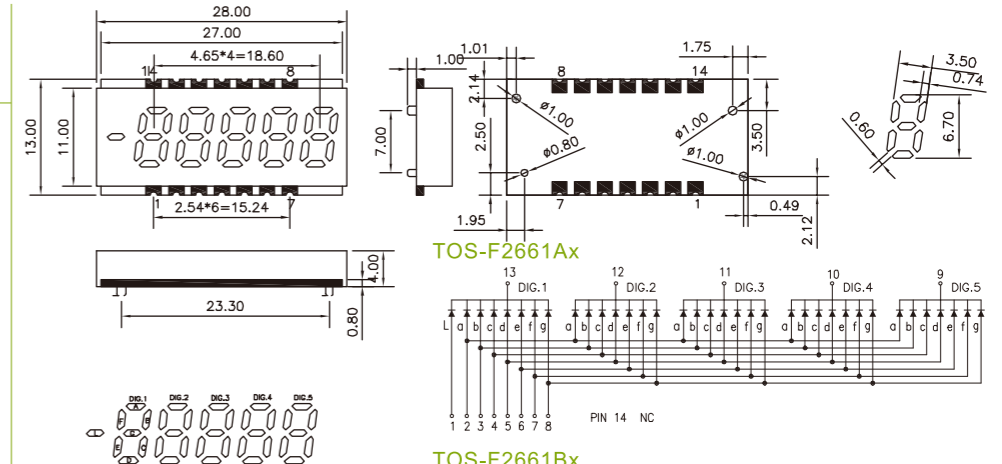


TOT-F2301
(Ax/Bx)



0.26 INCH SMD DISPLAY

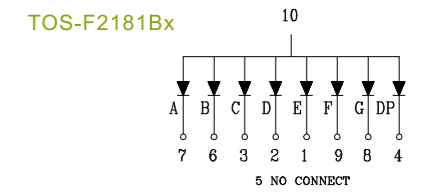
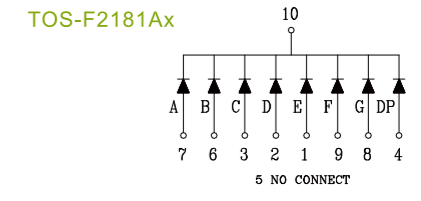
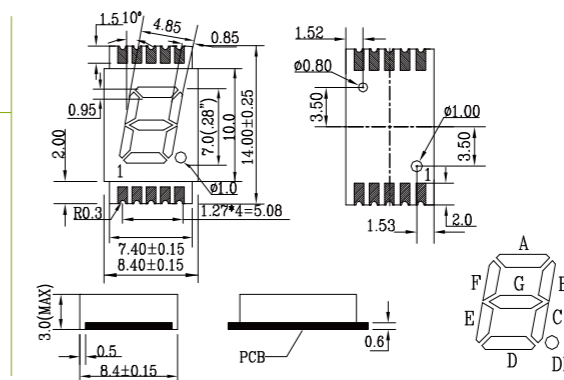
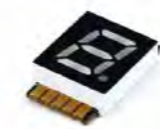
TOS-F2661
(Ax/Bx)



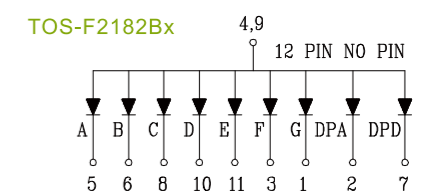
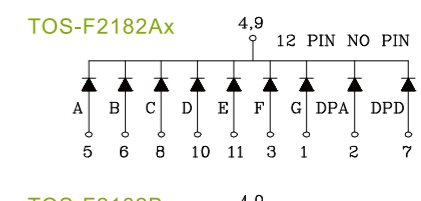
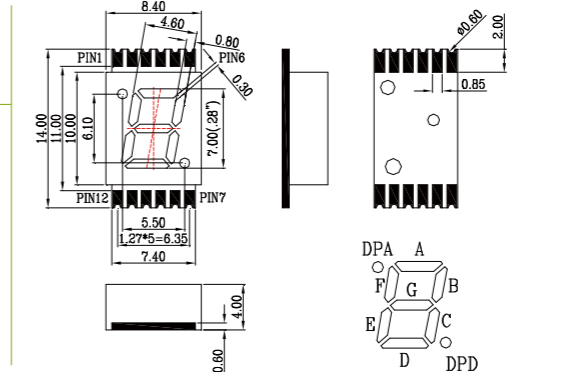
0.28 INCH SMD DISPLAY



TOS-F2181
(Ax/Bx)



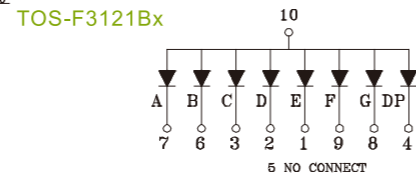
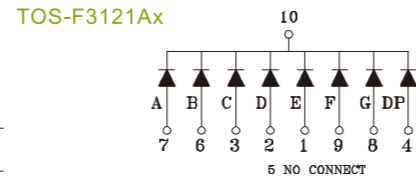
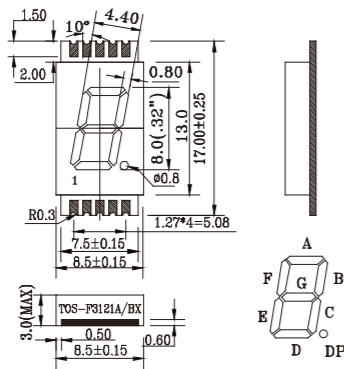
TOS-F2182
(Ax/Bx)



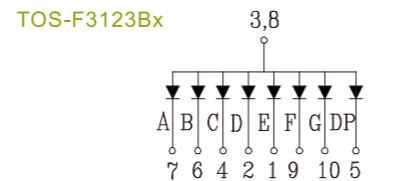
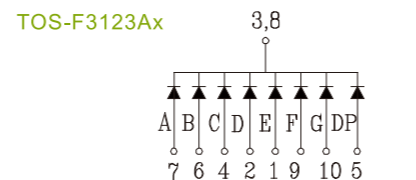
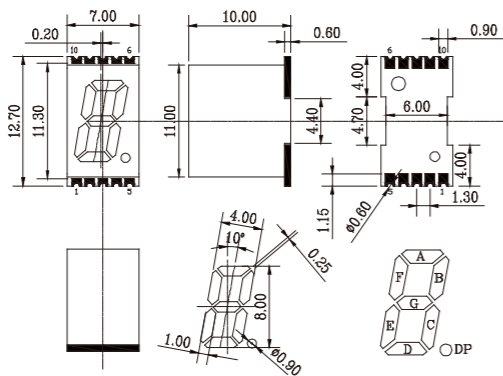
0.32 INCH SMD DISPLAY



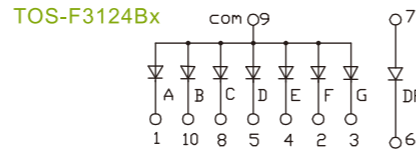
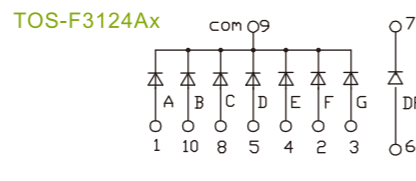
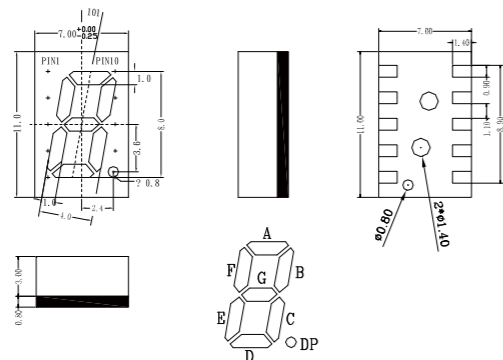
TOS-F3121
(Ax/Bx)



TOS-F3123
(Ax/Bx)



TOS-F3124
(Ax/Bx)

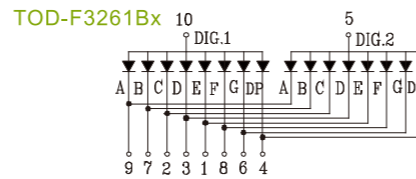
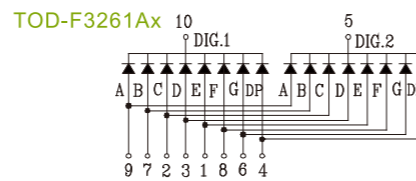
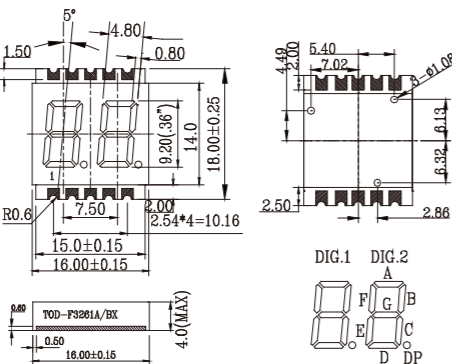


*(需另外開模)

0.36 INCH SMD DISPLAY



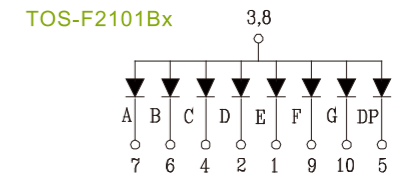
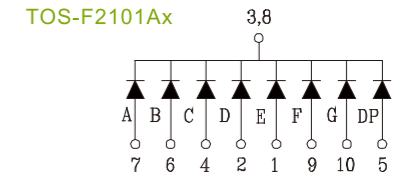
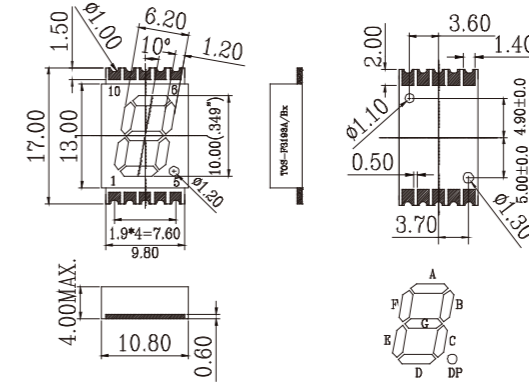
TOD-F3261
(Ax/Bx)



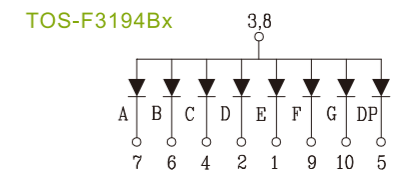
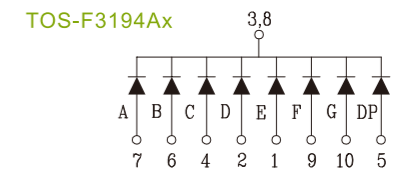
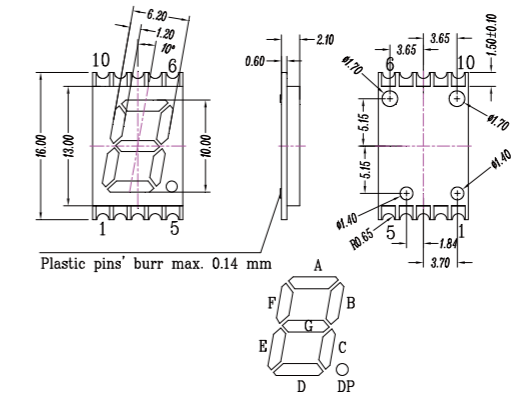
0.39 INCH SMD DISPLAY



TOS-F3193
(Ax/Bx)

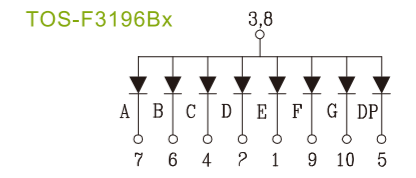
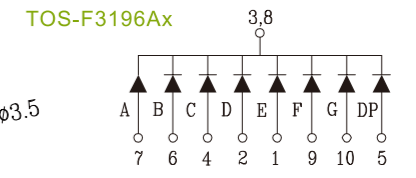
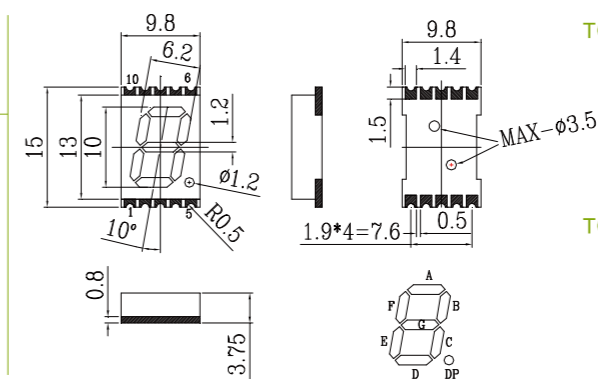


TOS-F3194
(Ax/Bx)



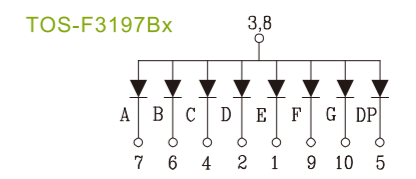
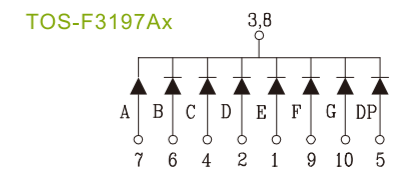
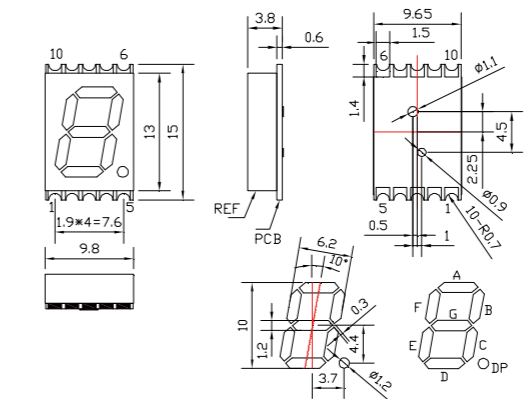
*(需另外開模)

TOS-F3196
(Ax/Bx)



*(需另外開模)

TOS-F3197



*(需另外開模)

