



Illuminating Advanced Technology

Infinite Design Possibilities ∞



DIVERSE
ELECTRONICS

WWW.DIVERSEELECTRONICS.COM
1 800 381 7308 / 514 388 7308
SALES@DIVERSEELECTRONICS.COM

UNLOCK SAVINGS WITH SUPERIOR COMPONENT SOURCING

Benefit from our expertise in sourcing and cost reduction. Contact Diverse Electronics to enhance your procurement strategy.

[SUBMIT AN RFQ TODAY](#)

Low Power White SMD

Features:

- ◆ Low Forward voltage
- ◆ Industry standard 0201 and 0402 footprint
- ◆ Low profile height
- ◆ Wide viewing angle
- ◆ High efficiency
- ◆ Moisture sensitivity level (MSL): 3

Applications:

- ◆ Medical & healthcare
- ◆ Consumer electronics
- ◆ Icon & text backlighting
- ◆ Mobile devices and hand-held products
- ◆ Home automation
- ◆ Fitness wearables



XZFWA155F5MAV
0.65x0.35x0.2mm
Top Emitting



XZFWA68F5MAV-3
1.0x0.5x0.2mm
Top Emitting



XZFW51055
3.0x2.0x1.3mm
Top Emitting



XZFW5455
3.5x2.8x1.9mm
Top Emitting



XZFW553F-1
1.6x0.8x0.75mm
Top Emitting



XZFW553F-8
1.6x0.8x0.95mm
Top Emitting

Ultra-bright White SMD

Features:

- ◆ Multiple package sizes available in industry standard top fire footprints
- ◆ High-intensity output
- ◆ Wide viewing angle
- ◆ Moisture sensitivity level (MSL): 3

Applications:

- ◆ Consumer electronics
- ◆ Networking and telecommunications
- ◆ Audio/visual



3-Dome SMD LED

XZxxxxxx92W-3

SunLED's unique 3-Dome SMD LEDs were previously only available in a red, green, blue (RGB) color configuration, but this series is now available in red, green, yellow (RGY), red, yellow, blue (RYB), and red, blue, IR (RBI) configurations. These allow for greater flexibility for various indication and light therapy applications. This series utilizes a unique 3-dome epoxy mold with each emitting chip centered within each dome, ensuring that each emitting color produces optimal output when it comes to brightness. The narrow viewing angle makes this series ideal for any light pipe applications and high visibility requirements.

Product Features

- ◆ 3.5 x 3.5 x 1.25 mm
- ◆ Unique 3-dome technology ensures optimal output
- ◆ Multiple color combinations

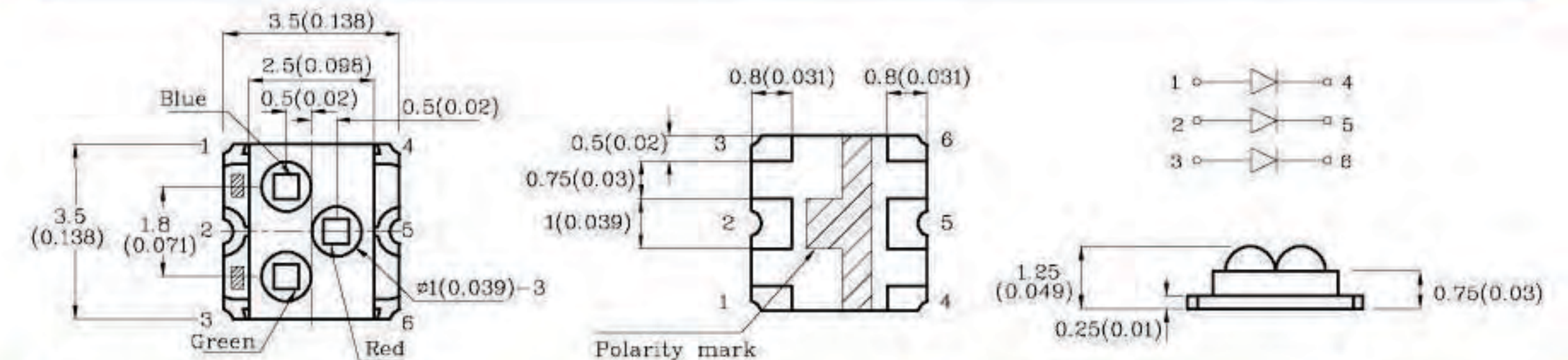
- ◆ MSL: 3
- ◆ Narrow viewing angle with high intensity

Product Applications

- ◆ Light pipe applications
- ◆ Industrial equipment
- ◆ Electric vehicle chargers
- ◆ Medical and healthcare devices



Package Dimension



Part Number	λPeak (nm)	Min. (mcd)	Typ. (mcd)	I _f (mA)	Viewing Angle
XZFBM2ACRDG92W-3	◆ 465	300	497	20	50°
	◆ 640	1000	1590		
	◆ 520	1300	1890		
XZFBM2ACRTHI92W-3	◆ 465	300	597	20	50°
	◆ 640	1000	1395		
	◆ 880	1.2	2.5		
XZM2CRKCYKFB92W-3	◆ 640	1000	1295	20	50°
	◆ 590	1000	1395		
	◆ 465	400	597		
XZM2CYKCRKDG92W-3	◆ 590	1000	1590	20	50°
	◆ 640	700	1195		
	◆ 515	1000	1590		

* Luminous intensity values and wavelengths are in accordance with CIE127-2007 standards.



1206 Reverse Mount

XZxx55W-3RT

SunLED's XZxx55W-3RT series SMD LEDs utilize an industry-standard 1206 footprint paired with a dome lens for high intensity and narrow viewing angle output. This series comes in a reverse mount package style. The XZxx55W-3RT series is an ideal choice for any applications where light bleeding is a challenge or component height restrictions are an issue. Applications include electric vehicle (EV) charging units/couplers, medical and healthcare devices, enterprise solutions, robotics/IoT devices, and many others.

Product Features

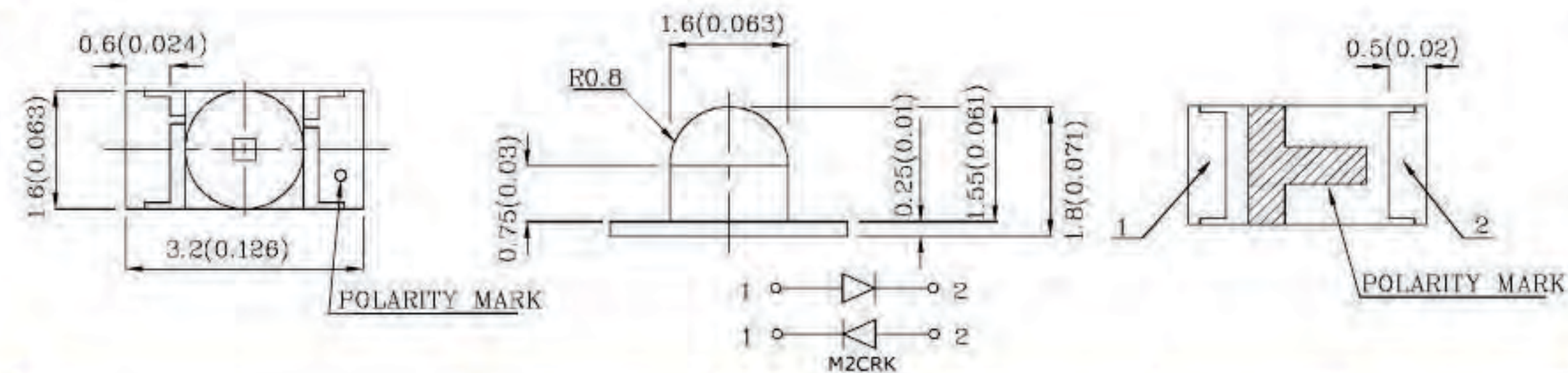
- ◆ Narrow viewing angle: 35-40°
- ◆ Reverse mount package style
- ◆ High-intensity output
- ◆ MSL: 3
- ◆ 3.2 x 0.6 x 1.8 mm
- ◆ Available colors: red, yellow, green, true green

Product Applications

- ◆ Wearable electronics
- ◆ EV charging units/couplers
- ◆ Icon and text backlighting
- ◆ Medical and healthcare devices
- ◆ Instrumentation devices
- ◆ Safety and security
- ◆ Enterprise solutions
- ◆ Robotics/IoT



Package Dimension



Part Number	λPeak (nm)	Min. (mcd)	Typ. (mcd)	I _F (mA)	Viewing Angle
XZMDK55W-3RT	◆ 645	20	49	20	35°
XZM2CRK55W-3RT	◆ 640	1600	2490	20	40°
XZMYK55W-3RT	◆ 590	700	795	20	35°
XZVG55W-3RT	◆ 574	120	297	20	35°
XZDGK55W-3RT	◆ 515	1300	2090	20	35°

* Luminous intensity values and wavelengths are in accordance with CIE127-2007 standards.



Ultra-thin 0402

XZxx68W-3

SunLED is updating its existing Ultra-thin 0402 series by improving on the true green, blue, and white to provide a high brightness LED with minimal component height. These colors are added to the existing red, orange, yellow, and green colors that are already available. This is perfect for applications where component height is a constraint, such as medical or wearable device applications as well as membrane switches.

Product Features

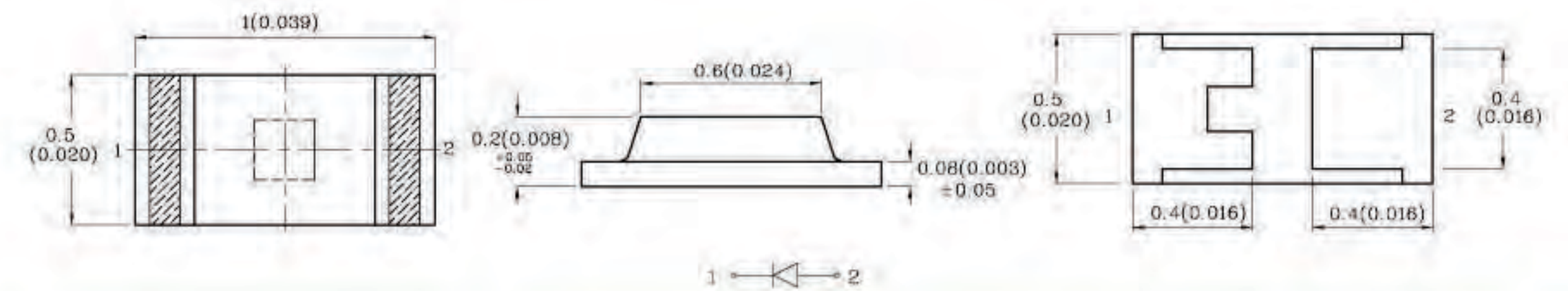
- ◆ Compact footprint: 1.0x0.5x0.2mm
- ◆ Low profile height
- ◆ Wide viewing angle
- ◆ Available colors: red, orange, yellow, green, true green, blue, white
- ◆ MSL: 3

Product Applications

- ◆ Consumer products
- ◆ Mobile devices
- ◆ Medical devices
- ◆ Wearables
- ◆ Membrane switch



Package Dimension



Part Number	λPeak (nm)	Min. (mcd)	Typ. (mcd)	I _F (mA)	Viewing Angle
XZMDR68W-3	◆ 639	20	64	20	120°
XZMER68W-3	◆ 632	20	74	20	120°
XZMOR68W-3	◆ 611	40	89	20	120°
XZMYR68W-3	◆ 591	55	98	20	120°
XZVGR68W-3	◆ 572	12	34	20	120°
XZDG68W5MAV-3	◆ 515	120	278	5	140°
XZFBA68W5MAV-3	◆ 463	20	59	5	140°
XZFWA68F5MAV-3	◇ X=0.31 Y=0.31	180	307	5	160°

* Luminous intensity values and wavelengths are in accordance with CIE127-2007 standards.

Low Current RGB

Versatile full color illumination

Features:

- ◆ Multiple package sizes available in industry standard top fire and right angle packages
- ◆ Low Current operation IF=2mA and 5mA
- ◆ Low Forward voltage
- ◆ High efficiency
- ◆ Wide viewing angle
- ◆ Optimal wavelengths for maximum color control
- ◆ MSL: 3

Applications:

- ◆ Wearable electronics
- ◆ Mobile & handheld devices
- ◆ Battery-powered devices
- ◆ Consumer devices
- ◆ Medical & healthcare
- ◆ Instrumentation
- ◆ Safety & security



XZDGCBDMERK150W-1

1.0x1.0x0.25mm
Top Emitting



XZCMECBDDGK53W

1.6x0.8x0.5mm
Top Emitting



XZCMEDGCB110W

1.6x1.6x0.7mm
Top Emitting



XZCCBDMEDGK161W

2.5x0.7x1.0mm
Right Angle



XZCMEDGCB56W

3.0x1.0x1.5mm
Right Angle



Ultra-bright RGB

Full color, full brightness

Features:

- ◆ Multiple package sizes available in industry standard top fire and right angle packages
- ◆ Ultra-bright RGB options at IF=20mA
- ◆ High-intensity output using ultra-bright chips
- ◆ Wide viewing angle
- ◆ Optimal wavelengths for maximum color control
- ◆ MSL: 3

Applications:

- ◆ Consumer electronics
- ◆ Outdoor visible indication
- ◆ Safety & security
- ◆ Mobile devices & handheld products
- ◆ Industrial equipment



XZM2ACRM2DGFBB56W

3.0x1.0x1.5mm
Right Angle



XZFBBM2CRKM2DGZ157W

3.0x1.0x1.5mm
Right Angle



XZM2CRKM2DGFBB45SCCB

3.5x2.8x1.9mm
Top Emitting



XZFBBM2ACRDG92W-3

3.5x3.5x1.25mm
Top Emitting





GUARANTEED TO SHINE

Infinite Design Possibilities ∞



WWW.DIVERSEELECTRONICS.COM
1 800 381 7308 / 514 388 7308
SALES@DIVERSEELECTRONICS.COM

UNLOCK SAVINGS WITH SUPERIOR COMPONENT SOURCING

Benefit from our expertise in sourcing and cost reduction. Contact Diverse Electronics to enhance your procurement strategy.

SUBMIT AN RFQ TODAY