



SBL1045

Preliminary

DIODE

10A SCHOTTKY BARRIER RECTIFIER

■ DESCRIPTION

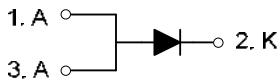
The UTC **SBL1045** is a 10A schottky barrier rectifier, it uses UTC's advanced technology to provide customers with low forward voltage drop, high current capability and high efficiency, etc.

The UTC **SBL1045** is suitable for free wheeling, high frequency inverters, low voltage and polarity protection applications.

■ FEATURES

- * Low forward voltage drop
- * High current capability
- * High surge capability
- * Low power loss
- * High efficiency

■ SYMBOL



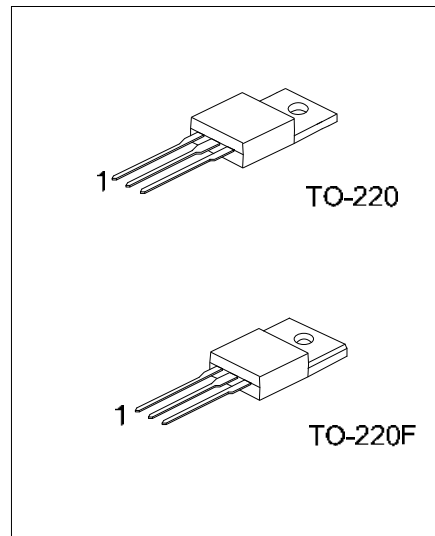
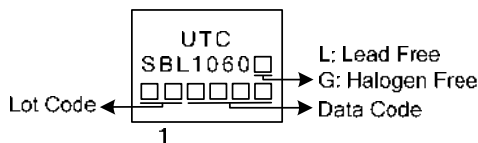
■ ORDERING INFORMATION

Ordering Number		Package	Pin Assignment			Packing
Lead Free	Halogen Free		1	2	3	
SBL1045L-TA3-T	SBL1045G-TA3-T	TO-220	A	K	A	Tube
SBL1045L-TF3-T	SBL1045G-TF3-T	TO-220F	A	K	A	Tube

Note: Pin Assignment: A: Anode K: Cathode

<p>MBR1045L-TA3-T</p>	<p>(1) T: Tube</p> <p>(2) TA3: TO-220, TF3: TO-220F</p> <p>(3) L: Lead Free, G: Halogen Free and Lead Free</p>
-----------------------	----------------------------------------------------------------------------------------------------------------

■ MARKING



■ ABSOLUTE MAXIMUM RATINGS ($T_A=25^\circ\text{C}$, unless otherwise specified)

PARAMETER	SYMBOL	RATINGS	UNIT
DC Blocking Voltage	V_R	45	V
Working Peak Reverse Voltage	V_{RWM}	45	V
Peak Repetitive Reverse Voltage	V_{RRM}	45	V
Average Forward Rectified Current	I_O	10	A
Peak Forward Surge Current 8.3ms Single Half Sine-Wave Superimposed on Rated Load Per Diode	I_{FSM}	250	A
Operating Junction Temperature	T_J	-65 ~ +150	$^\circ\text{C}$
Storage Temperature	T_{STG}	-65 ~ +150	$^\circ\text{C}$

Note: Absolute maximum ratings are those values beyond which the device could be permanently damaged. Absolute maximum ratings are stress ratings only and functional device operation is not implied.

■ THERMAL CHARACTERISTICS (PER LEG)

PARAMETER	SYMBOL	RATINGS	UNIT
Typical Thermal Resistance	TO-220	2	$^\circ\text{C}/\text{W}$
	TO-220F	4	$^\circ\text{C}/\text{W}$

■ ELECTRICAL CHARACTERISTICS (PER LEG) ($T_A=25^\circ\text{C}$, unless otherwise specified)

PARAMETER	SYMBOL	TEST CONDITIONS	MIN	TYP	MAX	UNIT
Reverse Breakdown Voltage	$V_{(BR)R}$	$I_R=0.50\text{mA}$	45			V
Forward Voltage Drop	V_{FM}	$I_F=10\text{A}$, $T_C=25^\circ\text{C}$			0.6	V
Leakage Current	I_{RM}	Rated DC Voltage, $T_C=25^\circ\text{C}$			1	mA
		Rated DC Voltage, $T_C=100^\circ\text{C}$			50	mA
Junction Capacitance (Note 2)	C_J			700		pF

Notes: 1. Pulse Test: Pulse width $\leq 300\mu\text{s}$, Duty cycle $\leq 2\%$.

2. Measured at 1.0 MHz and applied reverse voltage of 4.0V D.C.

UTC assumes no responsibility for equipment failures that result from using products at values that exceed, even momentarily, rated values (such as maximum ratings, operating condition ranges, or other parameters) listed in products specifications of any and all UTC products described or contained herein. UTC products are not designed for use in life support appliances, devices or systems where malfunction of these products can be reasonably expected to result in personal injury. Reproduction in whole or in part is prohibited without the prior written consent of the copyright owner. The information presented in this document does not form part of any quotation or contract, is believed to be accurate and reliable and may be changed without notice.