

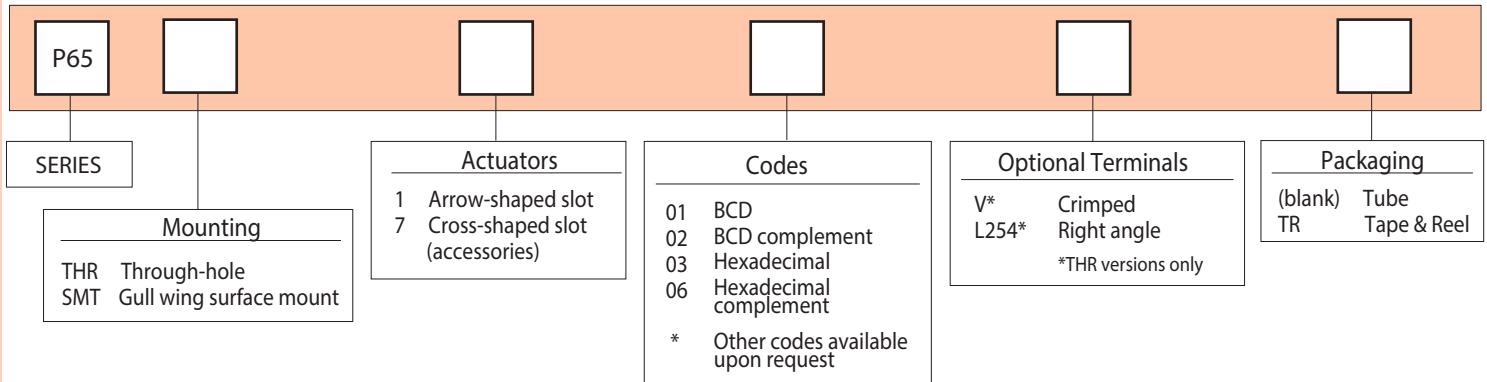
P65 series

Rotary code switches

Through-hole or surface mount



- Designed for higher temperature applications
- Solid PCB pins
- Highly reliable
- Abrasion resistant gold-plated contacts



ELECTRICAL SPECIFICATIONS

- Operating voltage: 42 VDC max.
- Contact load, static: 200mA max.
- Contact load, dynamic: 100mA max.
- Initial contact resistance: 80 mΩ max.
- Insulation resistance: 100 MΩ min.

MECHANICAL AND THERMAL SPECS

- Torque (typical): 1.3 Ncm
- Expected life : 30,000 cycles min.
- Operating temperature:
-60°C to +125°C (-76°F to +257°F)
- Positions: 4, 6, 10, 16

MATERIALS

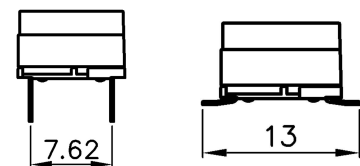
- Base: UL94-V0, high temperature thermoplastic, black
- Cover: UL94-V0, high temperature thermoplastic
- Actuator: PA46 nylon
- Spring: Stainless steel
- Contacts: Gold over nickel-plated copper alloy
- Terminals: Tin plated

SOLDER RECOMMENDATIONS

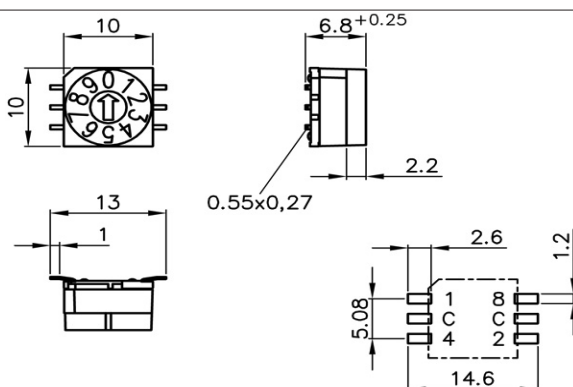
- Reflow soldering: 260°C max. for 10 seconds max.
- Wave soldering: 280°C max. for 5 seconds max.
- Hand soldering: 340°C max. for 2 seconds max.

PACKAGING

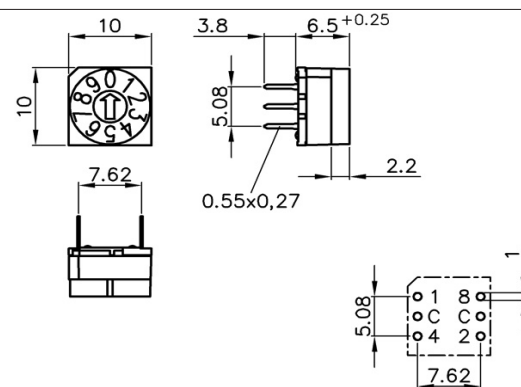
- Switches: Tubes of 50 pieces or reels of 300 pieces
- Accessories : bags of 50 pieces



DIMENSIONS (SURFACE MOUNT)



DIMENSIONS (THROUGH-HOLE)

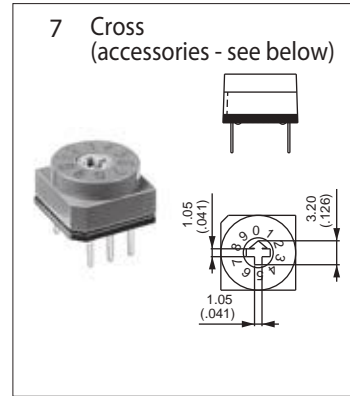
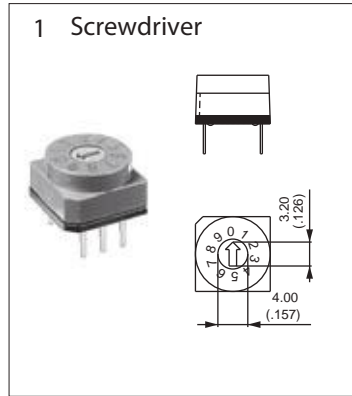


P65 series

Rotary code switches

Through-hole or surface mount

ACTUATORS



CODES

01 BCD

| | C | 1 | 2 | 4 | 8 | |
|---|---|---|---|---|---|---|
| 0 | • | | | | | 0 |
| 1 | • | • | | | | 1 |
| 2 | • | | • | | | 2 |
| 3 | • | • | • | | | 3 |
| 4 | • | | | • | | 4 |
| 5 | • | • | | • | | 5 |
| 6 | • | | • | • | | 6 |
| 7 | • | • | • | | | 7 |
| 8 | • | | | | • | 8 |
| 9 | • | • | | | • | 9 |

02 BCD complement

| | C | 1 | 2 | 4 | 8 | |
|---|---|---|---|---|---|---|
| 0 | • | • | • | • | • | 0 |
| 1 | • | | • | • | • | 1 |
| 2 | • | • | | • | • | 2 |
| 3 | • | | | • | • | 3 |
| 4 | • | • | • | | • | 4 |
| 5 | • | | • | | • | 5 |
| 6 | • | • | | | • | 6 |
| 7 | • | | • | • | | 7 |
| 8 | • | • | • | • | | 8 |
| 9 | • | | • | • | • | 9 |

03 Hexadecimal

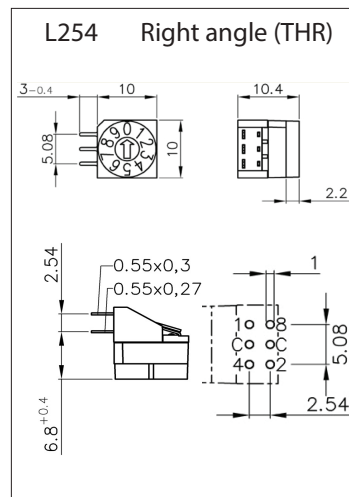
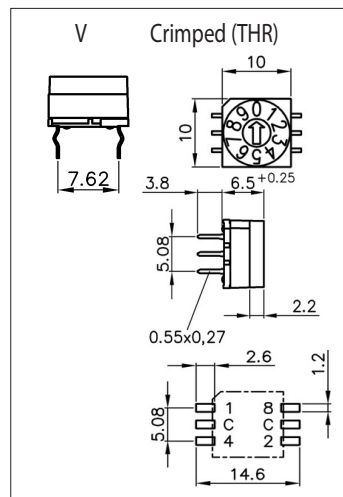
| | C | 1 | 2 | 4 | 8 | |
|----|---|---|---|---|---|---|
| 0 | • | | | | | 0 |
| 1 | • | • | | | | 1 |
| 2 | • | | • | | | 2 |
| 3 | • | • | • | | | 3 |
| 4 | • | | | • | | 4 |
| 5 | • | • | | • | | 5 |
| 6 | • | | • | • | | 6 |
| 7 | • | • | • | • | | 7 |
| 8 | • | | | | • | 8 |
| 9 | • | • | | | • | 9 |
| 10 | • | | • | | • | A |
| 11 | • | • | • | | • | B |
| 12 | • | | | • | • | C |
| 13 | • | • | | • | • | D |
| 14 | • | | • | • | • | E |
| 15 | • | • | • | • | • | F |

06 Hexadecimal complement

| | C | 1 | 2 | 4 | 8 | |
|----|---|---|---|---|---|---|
| 0 | • | • | • | • | • | 0 |
| 1 | • | | • | • | • | 1 |
| 2 | • | • | | • | • | 2 |
| 3 | • | | | • | • | 3 |
| 4 | • | • | • | | • | 4 |
| 5 | • | | • | | • | 5 |
| 6 | • | • | | | • | 6 |
| 7 | • | | • | • | | 7 |
| 8 | • | • | • | • | | 8 |
| 9 | • | | • | • | • | 9 |
| 10 | • | • | | • | • | A |
| 11 | • | | • | | • | B |
| 12 | • | • | • | | | C |
| 13 | • | | • | • | | D |
| 14 | • | • | | | | E |
| 15 | • | • | • | • | • | F |

▲ Position ▲ Marking

OPTIONAL TERMINALS



P65 / PT65 series

Accessories



ACCESSORIES ADAPTED TO YOUR APPLICATIONS

Basic model P65 has been designed to accept different actuators with snap-in connection.

Depending on your application, you can choose between spindles or plastic knobs in two different lengths and a Ø 17mm (.669) knurled wheel for lateral marking.

Standard colors are shown below. Special colors are also available on request.

| | | | |
|--|--|--|----------------|
| <p>SPINDLES</p> <p>Length 11.6 mm (standard)</p> <p>Length 13.3 mm</p> | <p>P/N</p> <p>U4822</p> <p>U4824</p> <p>U4832</p> | <p>COLORS</p> <p>black</p> <p>grey</p> <p>black</p> | |
| <p>PLASTIC KNOBS</p> <p>Length 5.3 mm (standard)</p> <p>Length 15.7 mm</p> <p>Length 4.4 mm</p> | <p>P/N</p> <p>U4906</p> <p>U4916</p> <p>U4941</p> <p>U4943</p> <p>U4944</p> <p>U4945</p> <p>U4946</p> | <p>COLORS</p> <p>red</p> <p>red</p> <p>blue</p> <p>green</p> <p>grey</p> <p>yellow</p> <p>red</p> | |
| <p>KNURLED WHEEL</p> <p>(unmarked - marking on request)</p> | <p>P/N</p> <p>U4847/1</p> | <p>COLOR</p> <p>white/black</p> | <p>→ Panel</p> |

STANDARD PRODUCTS

| MODELS CODES | FOR SCREWDRIVER | | WITH SPINDLE | WITH SEGMENT WHEEL | | FOR ACCESS. |
|----------------------|-----------------|----------------------------|-----------------|--------------------|----------------|-----------------|
| | Upper actuation | Side actuation | Upper actuation | Upper actuation | Side actuation | Upper actuation |
| BCD | PT65101 | PT65101L254 PT65101L508 | PT65301 | PT65501 | - | PT65701 |
| BCD complement | PT65102 | - | - | PT65502 | - | - |
| Hexadecimal | PT65103 | PT65103L254 PT65103L508 | PT65303 | PT65503 | PT65303L254 | - |
| Hexadecimal complem. | PT65106 | - | - | - | - | - |