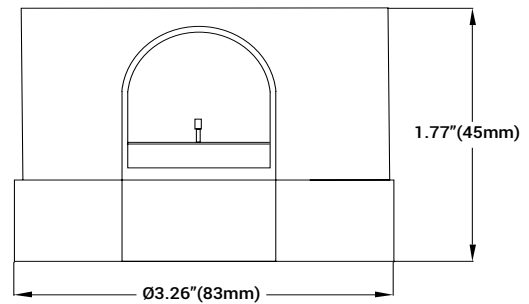


E7 SERIES PHOTOCELL - LED LIGHTING COMPATIBLE

E7 series photocells are ideal for roadway and street lighting applications requiring multi-volt operation, durability, endurance, and low cost. Average expected life of E7 controls is twenty plus years with a 20,000 On/Off operation relay life.

Product Features:

- High Temperature Resistant Housing
- Interlock Design
- Multi-Volt Operation
- IR Filtered Photo Transistor
- Meets or exceeds ANSI C136.10
- Design Life at Rated Load: 20,000 Cycles (20+ years)
- High Performance
- Low Cost
- 10 Year Product Warranty
- UL/CSA Listed (CUL)
- RoHS Compliant



Specifications:

Physical

Enclosure: Designed to meet ANSI C136.10
Power Consumption: Less than 0.5 Watts (avg.) at 120VAC

Temperature Range

-40°F to 158°F (-40°C to +70°C) at 96% RH

Light Sensor

Non-drifting photo sensor

Relay Rating

30 Amp general purpose relay

Load Rating

1000 Watt Tungsten, 1800 VA Ballast

Cover

High impact polypropylene with UV stabilized polycarbonate window

Base

High temperature polyester (PBT)

Connection

3-pole locking type with solid brass blades

Gasket

Cross-linked polyethylene

E7 Series Product Selection Information

XXX - Denotes Optional Customer Number

Model	AMI-E7-101-GR-XXX	AMI-E7-102-BL-XXX	AMI-E7-103-MR-XXX
Rated Volts (VAC)	120	120/208/240/277	208/240/277
Voltage Range (Volts)	105-130	105-305	185-305
Color	Gray	Blue	Maroon

E7 Series Technical Data

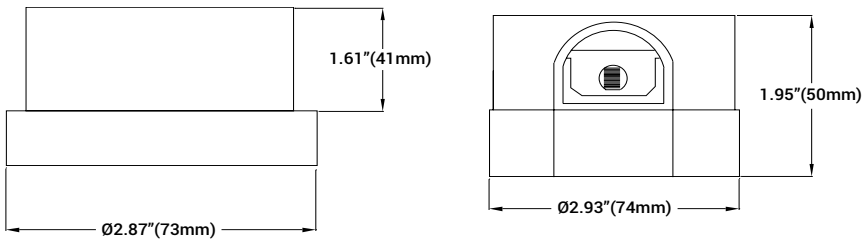
Voltage Range	Frequency	ON/OFF Ratio	Time Delay ON/OFF	Operating Light Levels	Fail Mode	Surge Protection
105-305 VAC	50/60Hz	1.5:1	Instant ON, 2-5 second delay OFF	Standard 1.5 Fc ON (optional 1-3 Fc)	ON	480J / 15kA

P-102 SERIES PHOTOCELL

P-102 Series photocells integrate the most affordable robust weather-protected thermal bi-metal switch with a lock design applicable for residential functionality use in patios, decks, driveway lighting, entryways and security lighting. Our 30-45 second time delay prevents undesirable OFF/ON operations from sudden outdoor light levels dusk to dawn.

Product Features:

- Locking Control Mechanism
- Heavy Duty Thermal Bi-Metal Switch
- 30-45 Second Time Delay
- Turn On Fc : 1.5
- Off/On Ratio 4:1
- Fail Safe
- ANSI C136.10 Compliant
- UL/CSA Listed (CUL)
- Design Life at Rated Load: 7,500 Cycles (20 years)
- 10 Year Product Warranty



Specifications:

Physical

Enclosure: Designed to meet ANSI C136.10
Power Consumption: Less than 0.9Watts (avg.) at 120VAC

Switch

SPST thermal bi-metallic switch

Temperature Range

-40°F to 158°F (-40°C to +70°C) at 96% RH

Light Sensor

1/2" Cadmium Sulfide Cell

Load Rating

1000 Watt Tungsten, 1800VA Ballast

Cover

High impact Noryl with UV stabilized acrylic window

Base

High temperature polyester (PBT)

Connection

3-pole locking type with solid brass blades

Gasket

Cross-linked polyethylene

P-102 Series Product Selection Information

XXX - Denotes Optional Customer Number

Model	AMI P-102-01-XXX	AMI P-102-03-XXX
Rated Volts	120	208/240/277
Voltage Range (Volts)	105-130	185-305

P-102 Series Technical Data

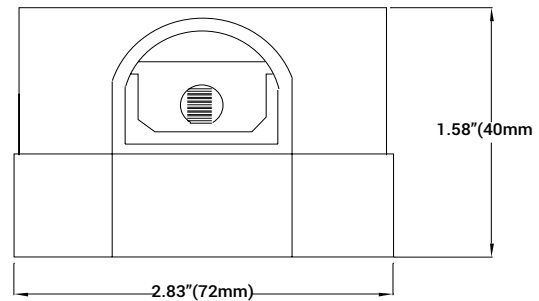
Voltage Range	Frequency	ON/OFF Ratio	Time Delay ON/OFF	Operating Light Levels	Fail Mode
105-305 VAC	50/60Hz	4:1	30 – 45 second delay ON and OFF	Standard 1.5 Fc ON	ON

P-102-01-AT SERIES PHOTOCELL

AMI P-102-01-AT is suitable for controlling street lighting, garden lighting, path lighting doorway lighting to turn ON or OFF automatically according to the ambient natural lighting level. Advantages include ergonomic design, special protection in colder areas, durable power and long service life.

Product Features:

- Locking Control Mechanism
- Heavy Duty Thermal Bi-Metal Switch
- Delay Function
- Turn On Light Level: 10~20Lux
- Long Service Life
- UL/CSA Listed (CUL)
- ANSI C136.10 Compliant
- Design Life at Rated Load: 5,300 Cycles (10+ years)
- 10 Year Product Warranty



Specifications:

Physical

Enclosure: Designed to meet ANSI C136.10
Dimensions: Approx. 2.83"(72mm) dia x 1.58" (40mm)

Control

SPST Thermal Bi-metal Switch

Temperature Range

-40°F to 158°F (-40°C to +70°C) at 96% RH

Light Sensor

Cadmium Sulfide cell (CdS)

Load Rating

1800 Watt Tungsten, 1000 VA Ballast

Cover

High impact polycarbonate (PC)

Base

High temperature polyester (PBT)

Connection

3-pole locking type with solid brass blades

Gasket

Cross-linked polyethylene

P-102-01-AT Series Product Selection Information

XXX - Denotes Optional Customer Number

Model	AMI P-101-01-AT-XXX
Rated Volts	120
Voltage Range (Volts)	105-130

P-102-01-AT Series Technical Data

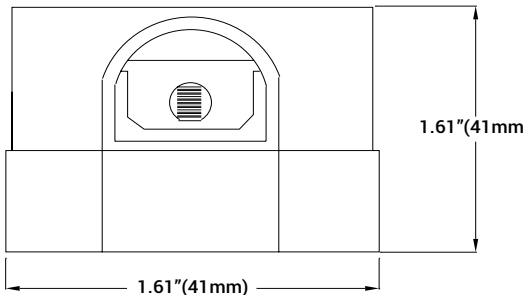
Rated Volts	Frequency	ON/OFF Light Levels	Fail Mode
120 VAC	50/60Hz	10~20 LUX ON 30~60 LUX OFF	ON

P-102-01-CA SERIES PHOTOCELL

AMI P-102-01-CA is suitable for controlling street lighting, garden lighting, path lighting or doorway lighting to turn ON or OFF automatically according to the ambient natural lighting level. Advantages include relay switching and wide voltage range 120 or 208/240/277 volts.

Product Features:

- Locking Control Mechanism
- Electromagnetic Relay Switch
- MOV Surge Protection Function
- Turn On Light Level: 10~20Lux
- Long Service Life
- UL/CSA Listed (CUL)
- ANSI C136.10 Compliant
- Design Life at Rated Load: 5,300 Cycles (10+ years)
- 10 Year Product Warranty



Specifications:

Physical
 Enclosure: Designed to meet ANSI C136.10
 Dimensions: Approx. 3.15"(80mm) dia x 2.13" (54mm) height

Switch
 SPST Relay

Temperature Range
 -40°F to 158°F (-40°C to +70°C) at 96% RH

Light Sensor
 Cadmium Sulfide cell (Cds)

Load Rating
 1000 Watt Tungsten, 1800VA Ballast

Cover
 High impact Noryl with UV stabilized acrylic window

Base
 Polycarbonate (PC)

Connection
 3-pole locking type with solid brass blades

Gasket
 Cross-linked polyethylene

P-102-01-CA Series Product Selection Information

XXX - Denotes Optional Customer Number

Model	AMI P-102-01-CA-XXX
Rated Volts	120 or 208/240/277 VAC

P-102-01-CA Series Technical Data

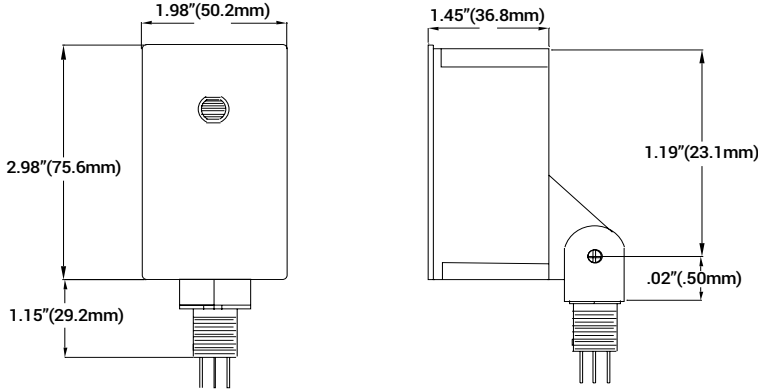
Voltage Range	Frequency	ON/OFF Light Levels	Fail Mode	Surge Protection
120 or 208/240/277 VAC	50/60Hz	10~20 LUX ON 30~60 LUX OFF	ON	102J

P-103 SERIES PHOTOCELLS

P-103 Series features a durable polycarbonate housing photocell available in fixed or adjustable swivel base for installation flexibility as well as adjustable slide bar allowing for on-site field adjustment. Our 30-45 second time delay prevents undesirable OFF/ON operations from sudden outdoor light levels including headlights and lightning strikes and energy saving dusk to dawn sensors.

Product Features:

- Heavy Duty Thermal Bi-Metal Switch
- Economical Non-Metal Housing
- Factory Preset Turn-On with Adjustable Slide Bar
- 30-45 Second Time Delay
- Turn On Fc : 1.5
- Off/On Ratio 4:1
- Fail Safe
- ANSI C136.10 Compliant
- UL/CSA Listed (CUL)
- Design Life at Rated Load: 5,300 Cycles (10+ years)
- 10 Year Product Warranty



Specifications:

- Physical**
 Enclosure: Designed to meet UL 773A
 Power Consumption: Less than 0.9Watts (avg.) at 120VAC
- Temperature Range**
 -40°F to 158°F (-40°C to +70°C) at 96% RH
- Light Sensor**
 Cadmium Sulfide Cell
- Load Rating**
 2000 Watt Tungsten, 1900VA Ballast
- Control**
 SPST Thermal Bi-metal Switch

P-103 Series Product Selection Information

XXX - Denotes Optional Customer Number

Model	AMI P-103-01-6-XXX	AMI P-103-01-6S-XXX	AMI P-103-02-6-XXX	AMI P-103-03-6-XXX	AMI P-103-03-6S-XXX
Type	Fixed	Swivel	Fixed	Fixed	Swivel
Rated Volts	120	120	120/208/240/277	208/240/277	208/240/277
Voltage Range (Volts)	105-130	105-130	105-305	185-305	185-305

P-103 Series Technical Data

Voltage Range	Fail Mode	Housing	Lead Wires	Nipple	Nut
120 or 208/240/277 or 120/208/240/277 VAC	ON (contacts normally closed)	Polycarbonate with UV stabilized window	6", #14 AWG, 105°C	½" pipe	½" pipe, die-cast

P-105 SERIES PHOTOCELL

P-105 Series is a button photocell design primarily used for mounting and internal post applications. Ideal for wall mounting and decorative lighting for both commercial and residential applications. All 105 series are constructed from high impact weather resistant UV stabilized polycarbonate housing with some models available with wall mounting options, 180 Joule MOV for transient surge protection as well as a high ambient temperature photo control option for running in HID luminaires.

Product Features:

- Turn ON Fc : 1.5
- Rear Wire Leads
- 3/4" Long Threaded Nipple
- Ideal for Compact Spaces
- 30-45 Second Time Delay
- 1200 and 1800 W Load Rating
- Wall Plate Design Option Available
- Fail Safe
- High Ambient Option Available
- ANSI C136.10 Compliant
- OFF/ON Ratio 4:1
- UL/CSA Listed (CUL)
- Design Life at Rated Load: 7,500 Cycles (20 years)
- 10 Year Product Warranty



Specifications:

Physical

Enclosure: Designed to meet ANSI C136.24 & UL 773A
Power Consumption: Less than 0.9Watts (avg.) at 120VAC

Control

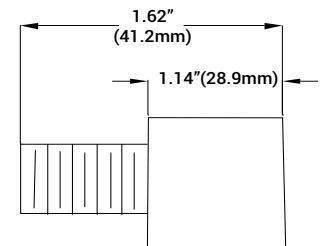
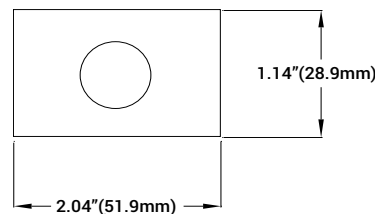
SPST Thermal Bi-metal Switch

Temperature Range

-40°F to 158°F (-40°C to +70°C) at 96% RH

Light Sensor

Cadmium Sulfide Cell



P-105 Series Product Selection Information

XXX - Denotes Optional Customer Number

Model	AMI P-105-01-6-XXX	AMI P-105-03-6-XXX	AMI P-105-01-6-WP-XXX	AMI P-105-03-6-WP-XXX	AMI P-105-03-15-XXX	AMI P-105-01-6-HA-XXX	AMI P-105-01-15-XXX
Rated Volts (VAC)	120	208/240/277	120	208/240/277	208/240/277	120	120
Voltage Range (Volts)	105-130	185-305	105-130	185-305	185-305	105-130	105-130
Load Rating Tungsten (Watts)	1800	1200	1800	1200	1200	1800	1800
Load Rating Ballast (VA)	1100	1100	1100	1100	1100	1100	1100

P-105 Series Technical Data

Voltage Range	Fail Mode	Housing	Lead Wires	Nipple	Nut	Surge Protection
105 - 305 VAC	ON (contacts normally closed)	Polycarbonate with UV stabilized window	6", #18 AWG, 105°C or 6", #18 AWG, 150°C or 15" or #18 AWG, 105°C (depending on model)	3/8" pipe	3/8" pipe, thermoplastic	180J