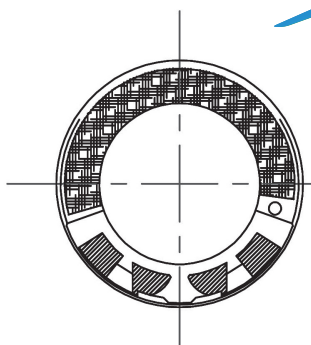
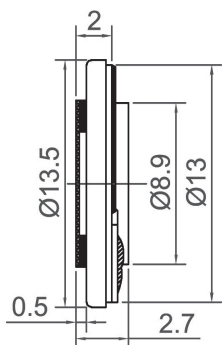
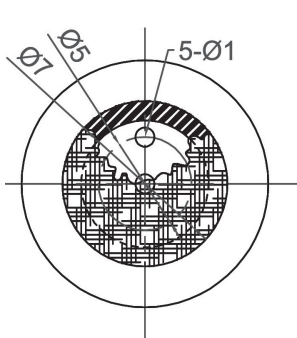
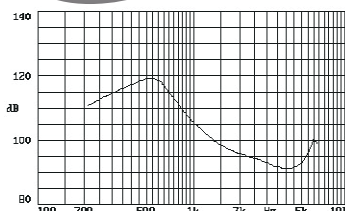


Dynamic Receiver (Hearing Aid)



CHDR1303

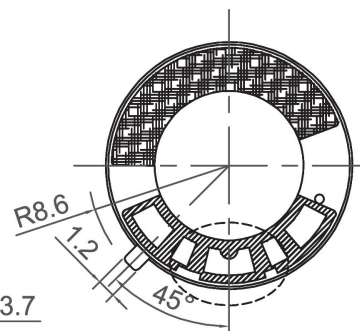
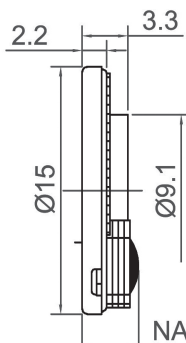
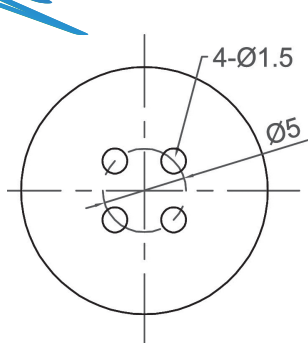
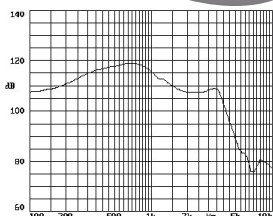


Canopus Part no.	Sensitivity At 1KHz (dB)	AC Impedance At 1KHz (Ω)	Input At 1KHz	Terminal	Housing	Weight (g)	HAC Compatible
CHDR1303D104AZ	104 \pm 3	32 \pm 10%	240m	Solder Pad	Metal	1	YES

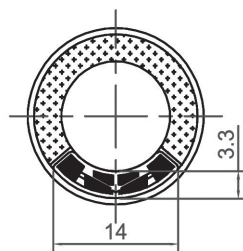
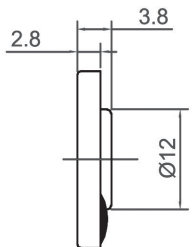
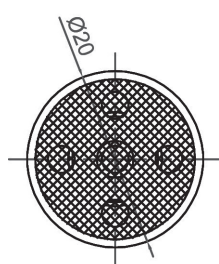
CANOPUS



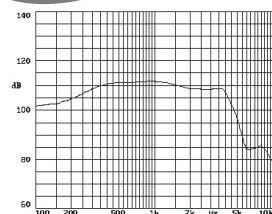
CHDR1503



Canopus Part no.	Sensitivity At 1KHz (dB)	AC Impedance At 1KHz (Ω)	Input At 1KHz	Terminal	Housing	Weight (g)	HAC Compatible
CHDR1503D114AZ	114 \pm 3	32 \pm 15%	350mV	Solder Pad	Metal	1.4	YES



CHDR2004



Canopus Part no.	Sensitivity At 1KHz (dB)	AC Impedance At 1KHz (Ω)	Input At 1KHz	Terminal	Housing	Weight (g)	HAC Compatible
CHDR2004G088BZ	88 \pm 3	150 \pm 20%	60mV	Solder Pad	ABS	3	YES
CHDR2004G093BW	93 \pm 3	150 \pm 20%	60mV	Leadwire	ABS	8	YES
CHDR2004G110BZ	110 \pm 3	150 \pm 20%	500mV	Solder Pad	ABS	2.4	YES