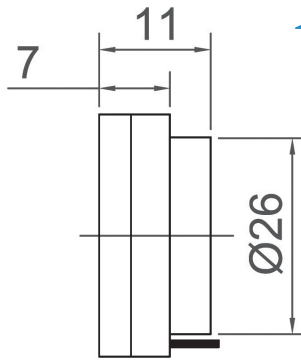
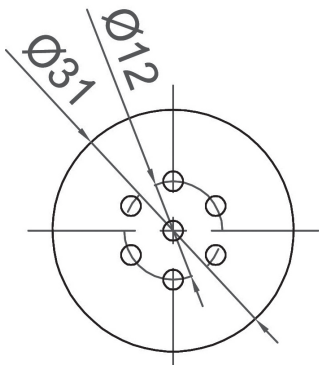
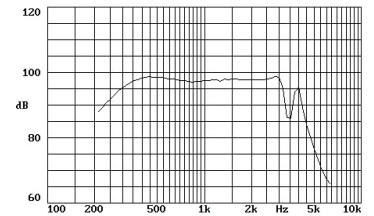


Dynamic Receiver



CDR3111

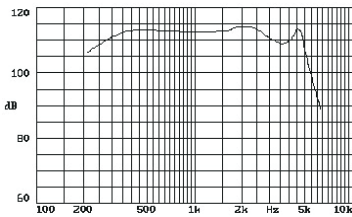
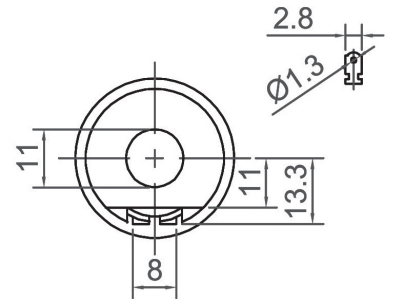
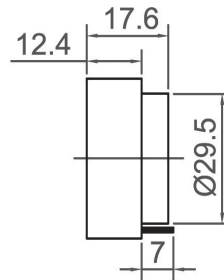
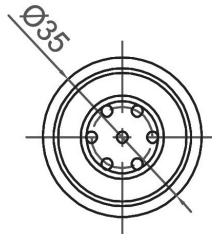
Canopus Part no.	Sensitivity At 1KHz (dB)	AC Impedance At 1KHz (Ω)	Input At 1KHz	Terminal	Housing	Weight (g)	HAC Compatible
CDR3111G093BE	93 \pm 3	150 \pm 20%	60mV	Plate	ABS	30	Optional



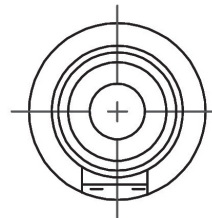
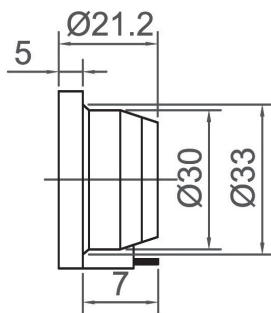
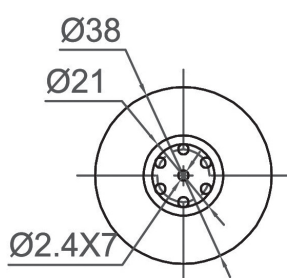
CANOPUS



CDR3518



Canopus Part no.	Sensitivity At 1KHz (dB)	AC Impedance At 1KHz (Ω)	Input At 1KHz	Terminal	Housing	Weight (g)	HAC Compatible
CDR3518G110BE	110 \pm 3	150 \pm 20%	1mW	Plate	ABS	35	NIL



CDR3821

Canopus Part no.	Sensitivity At 1KHz (dB)	AC Impedance At 1KHz (Ω)	Input At 1KHz	Terminal	Housing	Weight (g)	HAC Compatible
CDR3821G096BE	96 \pm 3	150 \pm 20%	60mV	Plate	ABS	36	Optional

