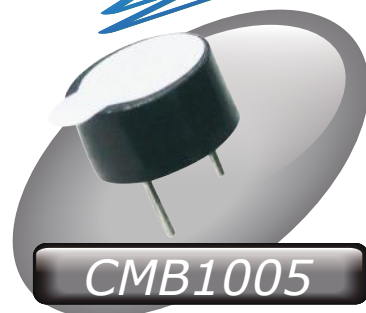
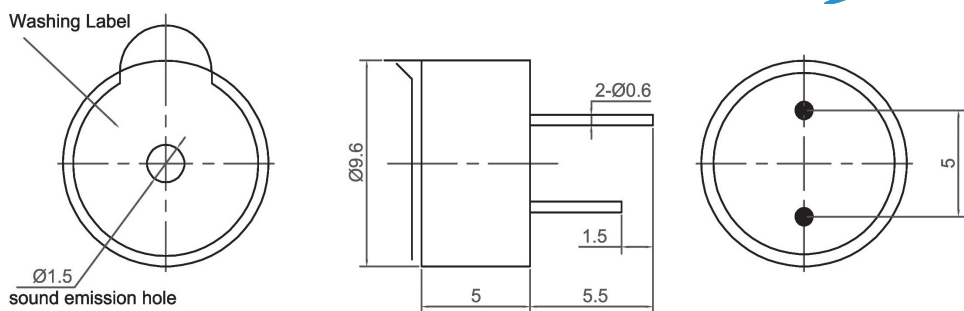
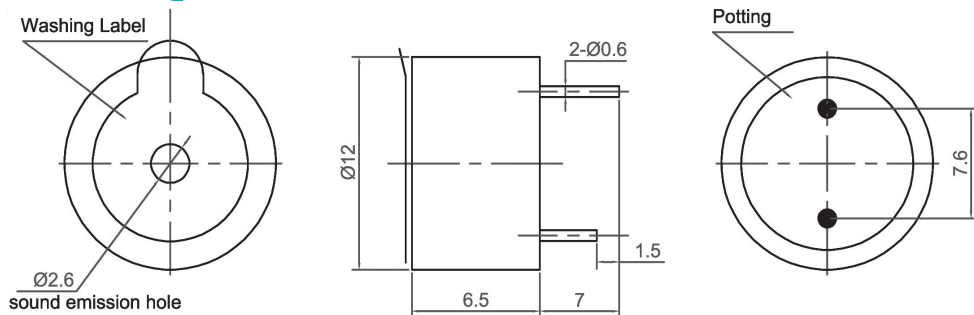


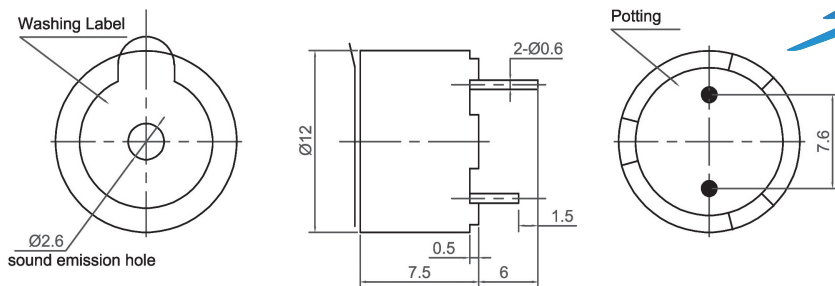
# Magnetic Buzzer (DC)



Canopus Part no.	Operating Voltage (VDC)	Rated Voltage (VDC)	Max Rated Current (mA)	Min Sound Output (dBA)	Resonant Frequency (Hz)	Tone Nature	Operating Temperature (°C)	Housing	Terminal	Weight (g)
CMB1005EC25NP	3 ~ 7	5	25	76 at 10cm	2500±200	Continuous	-25 ~ +70	Noryl	Pin	1



Canopus Part no.	Operating Voltage (VDC)	Rated Voltage (VDC)	Max Rated Current (mA)	Min Sound Output (dBA)	Resonant Frequency (Hz)	Tone Nature	Operating Temperature (°C)	Housing	Terminal	Weight (g)
CMB1206EC23NP	4 ~ 7	5	30	85 at 10cm	2300±300	Continuous	-40 ~ +92	Noryl	Pin	2



Canopus Part no.	Operating Voltage (VDC)	Rated Voltage (VDC)	Max Rated Current (mA)	Min Sound Output (dBA)	Resonant Frequency (Hz)	Tone Nature	Operating Temperature (°C)	Housing	Terminal	Weight (g)
CMB1207AC23NP	1.4 ~ 2	1.5	25	76 at 10cm	2300±500	Continuous	-40 ~ +86	Noryl	Pin	1
CMB1207CC23NP	2 ~ 5	3	30	83 at 10cm	2300±3400	Continuous	-40 ~ +87	Noryl	Pin	1
CMB1207EC23NP	3 ~ 7	3	30	83 at 10cm	2300±400	Continuous	-40 ~ +89	Noryl	Pin	1
CMB1207EC31NP	3 ~ 7	3	30	83 at 10cm	3100±300	Continuous	-40 ~ +88	Noryl	Pin	1
CMB1207HC23NP	9 ~ 15	12	30	83 at 10cm	2300±400	Continuous	-40 ~ +91	Noryl	Pin	1
CMB1207HC31NP	9 ~ 15	12	30	83 at 10cm	3100±300	Continuous	-40 ~ +90	Noryl	Pin	1