

SPECIFICATION SHEET

Product Type: Magnetic Buzzer

Part No. CMB1209EC23NP-002

Electrical Specifications:

Operating Voltage	VDC	4 ~ 7
Rated Voltage	VDC	5
Rated Current	mA	Max. 30
Sound output (at 10 cm)	dBA	Min. 85
Rated Frequency	Hz	2300 ± 300
Tone Nature		Continuous
Operating Temperature	° C	-40 ~ +85
Storage Temperature	° C	-40 ~ +85
Terminal		Pin
Housing Material / Color		Noryl / Black
Weight	g	2

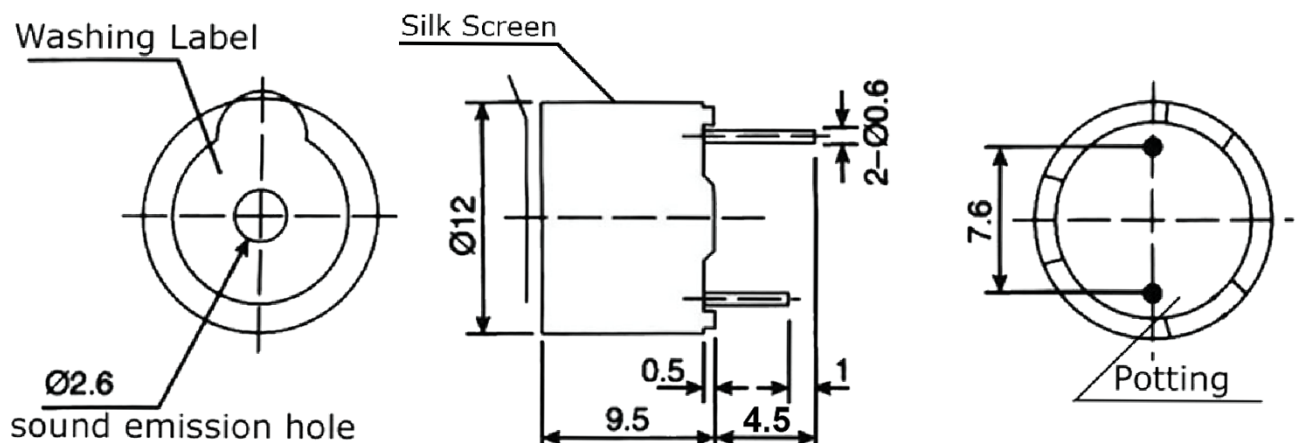
Value applying at rated voltage

Mechanical Schematics:

TOP VIEW

SIDE VIEW

BOTTOM VIEW



Silk Screen Marking

⊕ CMB1209E

XX XX

Year Week

all dimensions are in mm

Tolerance: ± 0.3 mm

Copyright by Canopus Electronics (H.K.) Ltd. All rights reserved.