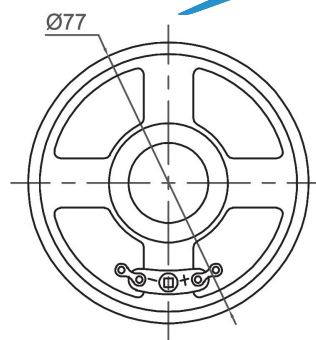
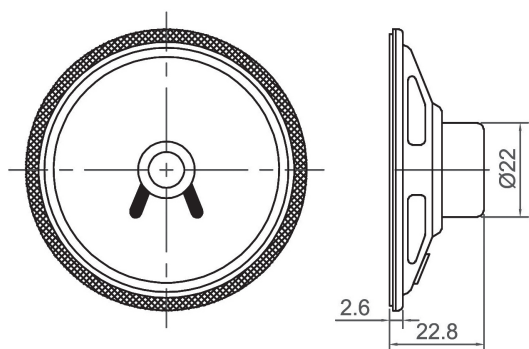
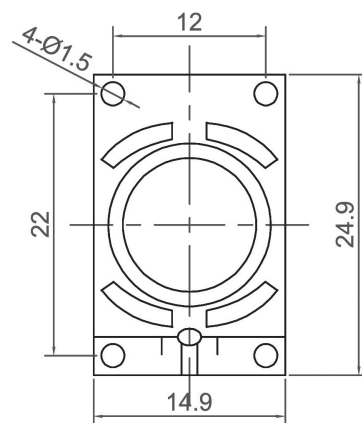
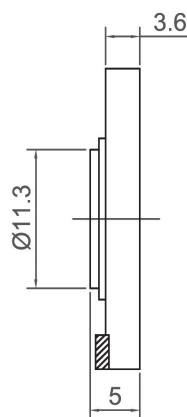
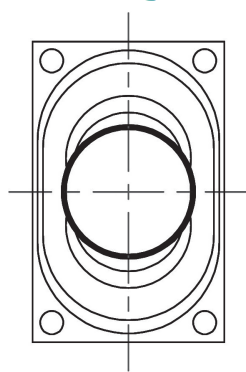


Loud Speaker & Notebook Speaker



Series	Canopus Part no.	Diameter /Length (mm)	Width (mm)	Height (mm)	Sound Output (dB)	AC Impedance (Ω)	Rated Power (W)	Max. Power (W)	Resonance Frequency (f ₀) (Hz)	Respose Frequency f ₀ ~ (Hz)	Housing	Terminal	Weight (g)
CLS2811	CLS2811A045BEQ	28	28	10.8	90 ± 3	8 ± 10%	2	3	450	20K	ABS	Plate	17.3
CLS3419	CLS3419A024BEQ	34	34	19.5	83 ± 3	8 ± 10%	2	3	240	20K	ABS	Plate	18.4
CLS4006	CLS4006A070AZ	φ40	-	6.55	92 ± 3	8 ± 15%	0.5	0.8	700	4.8K	Metal	Solder Pad	9.1
CLS4510	CLS4510A040AE	φ45.2	-	9.7	91 ± 3	8 ± 15%	0.5	1	400	8K	Metal	Plate	11
CLS5012	CLS5012A045AE	φ50	-	12.2	85 ± 3	8 ± 15%	1	1.5	450	5K	Metal	Plate	14.8
CLS5719	CLS5719A040AE	φ57	-	19.5	85 ± 3	8 ± 15%	0.2	0.4	400	5K	Metal	Plate	29.3
CLS6612	CLS6612A038AE	φ66	-	12.5	95 ± 3	8 ± 15%	0.5	0.8	380	4K	Metal	Plate	17.2
CLS7723	CLS7723A028AE	φ77	-	22.8	85 ± 3	8 ± 15%	1	1.5	280	12K	Metal	Plate	35.45



Series	Canopus Part no.	Length (mm)	Width (mm)	Height (mm)	Sound Output (dB)	AC Impedance (Ω)	Rated Power (W)	Max. Power (W)	Resonance Frequency (f ₀) (Hz)	Respose Frequency f ₀ ~ (Hz)	Housing	Terminal	Weight (g)
CNS2505	CNS2505A090BZR	24.9	14.9	5	82 ± 3	8 ± 10%	0.5	1	900	20K	ABS	Solder Pad	2
CNS3505	CNS3505E060BZR	35	16	5.5	76 ± 3	4 ± 10%	0.1	1	600	20K	ABS	Solder Pad	2.2
CNS4006	CNS4006A045AZR	40	20	5.8	89 ± 3	8 ± 15%	1	2	450	20K	Metal	Solder Pad	7.6
CNS7132	CNS7132B030AER	71	40.2	32	90 ± 3	16 ± 15%	2	3	300	20K	Metal	Plate	20
CNS9040	CNS9040A024AER	90	50	40.5	86 ± 3	8 ± 15%	5	8	240	18K	Metal	Plate	105