

SPECIFICATION SHEET

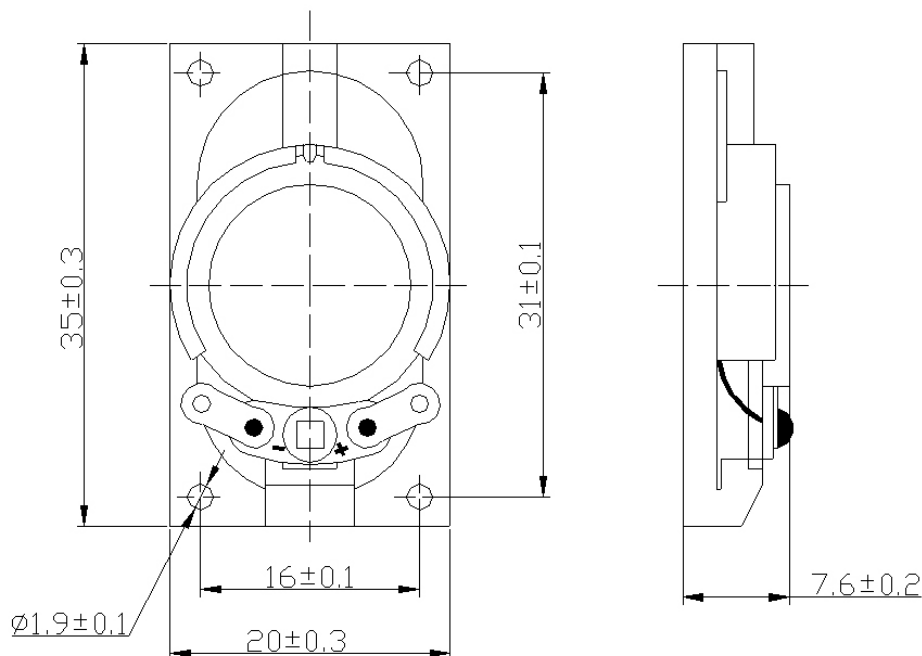
Product Type: Notebook Speaker

Part No. : CNS3508A075BER

Electrical Specifications:

Resonance Frequency	Hz	750 ± 20 %
Operating Frequency	Hz	$f_0 \sim 20000$
Impedance (at 1 KHz/1 V)	Ω	8 ± 15 %
Sound output (1W / 1 m) (800, 1000, 1200, 1500Hz in Average)	dB	85 ± 3
Rated / Max. Power	W	1 / 1.5
Distortion (at 1000 Hz)		<5%
Buzz, Rattle, etc. @2.83 sine Wave		Not Audible
Terminal		Plate
Housing Material		ABS
Weight	g	5.5

Mechanical Schematics:



*all dimensions are in mm
Tolerance ± 0.5mm except specified*