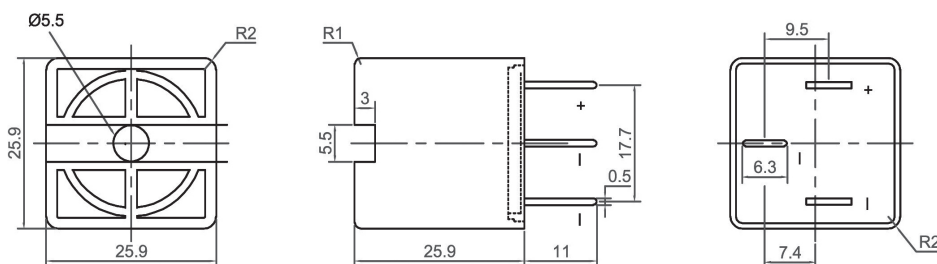


Piezo Buzzer (DC)



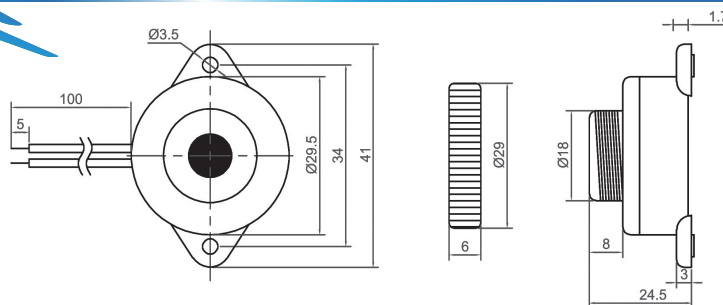
CPB2626

Canopus Part no.	Operating Voltage (VDC)	Rated Voltage (VDC)	Max Rated Current (mA)	Min Sound Output (dBA)	Resonant Frequency (Hz)	Tone Nature	Operating Temperature (°C)	Housing	Weight (g)
CPB2626HC33LG	9 ~ 18	12	15	88 at 30cm	3300 ± 500	Continuous	-20 ~ +85	Pa66	10

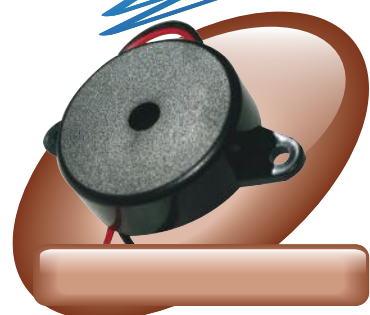
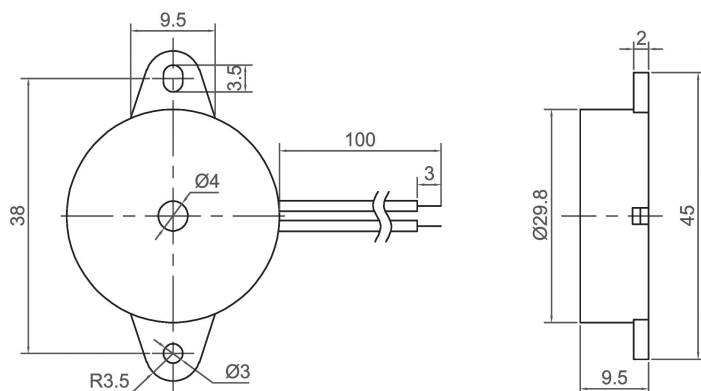
CANOPUS



CPB2924



Canopus Part no.	Operating Voltage (VDC)	Rated Voltage (VDC)	Max Rated Current (mA)	Min Sound Output (dBA)	Resonant Frequency (Hz)	Tone Nature	Operating Temperature (°C)	Housing	Weight (g)
CPB2924HC35BW	1.5 ~ 16	12	15	95 at 30cm	3500 ± 500	Continuous	-20 ~ +60	ABS	15
CPB2924HCD32BW	3 ~ 15	12	20	90 at 30cm	3200 ± 500	Dual	-20 ~ +60	ABS	15
CPB2924HD32BW	3 ~ 15	12	10	90 at 30cm	3200 ± 500	Pulse	-20 ~ +60	ABS	15
CPB2924IC35BW	1.5 ~ 28	24	20	95 at 30cm	3500 ± 500	Continuous	-20 ~ +60	ABS	15
CPB2924ICD32BW	3 ~ 15	24	30	90 at 30cm	3200 ± 500	Dual	-20 ~ +60	ABS	15
CPB2924ID32BW	1.5 ~ 28	24	20	90 at 30cm	3200 ± 500	Pulse	-20 ~ +60	ABS	15



Canopus Part no.	Operating Voltage (VDC)	Rated Voltage (VDC)	Max Rated Current (mA)	Min Sound Output (dBA)	Resonant Frequency (Hz)	Tone Nature	Operating Temperature (°C)	Housing	Weight (g)
CPB3009HC34BW	3 ~ 20	12	15	85 at 30cm	3400 ± 500	Continuous	-20 ~ +65	ABS	6