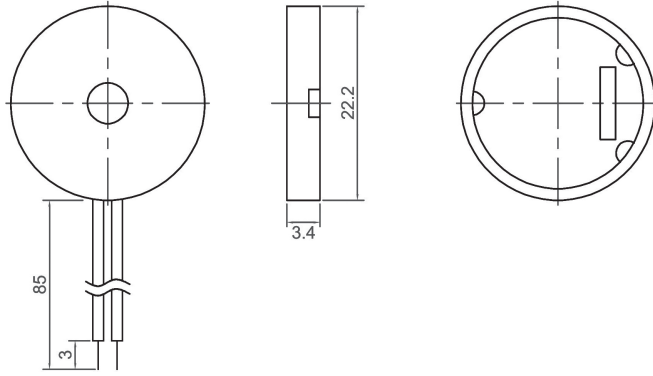


Piezo Receiver

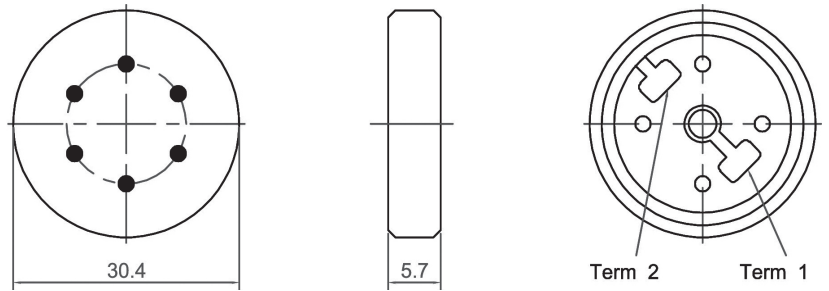


CPR2203

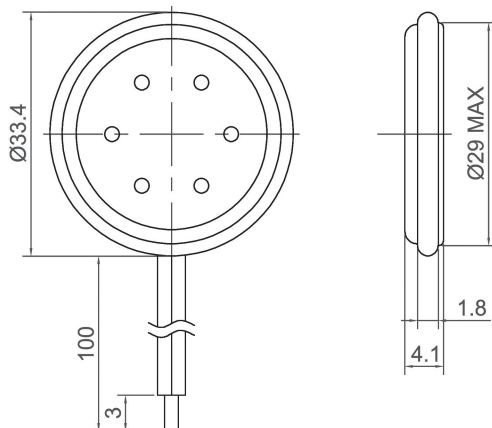
| Canopus Part no. | Capacitance (pF) | Frequency Range (Hz) | Housing | Terminal | Weight (g) |
|------------------|------------------|----------------------|---------|----------|------------|
| CPR2203A106BW | 90000 ±30% | 300 - 3400 | ABS | Leadwire | 1.3 |



CPR3006



| Canopus Part no. | Capacitance (pF) | Frequency Range (Hz) | Housing | Terminal | Weight (g) |
|------------------|------------------|----------------------|----------|----------|------------|
| CPR3006A110A | 70000 ±30% | 300 - 3400 | Aluminum | NIL | 5 |



CPR3304

| Canopus Part no. | Capacitance (pF) | Frequency Range (Hz) | Housing | Terminal | Weight (g) |
|------------------|------------------|----------------------|----------|----------|------------|
| CPR3304A107AW | 65000 ±30% | 300 - 3400 | Aluminum | Leadwire | 5.5 |