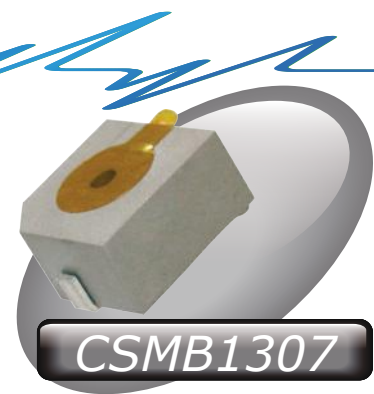
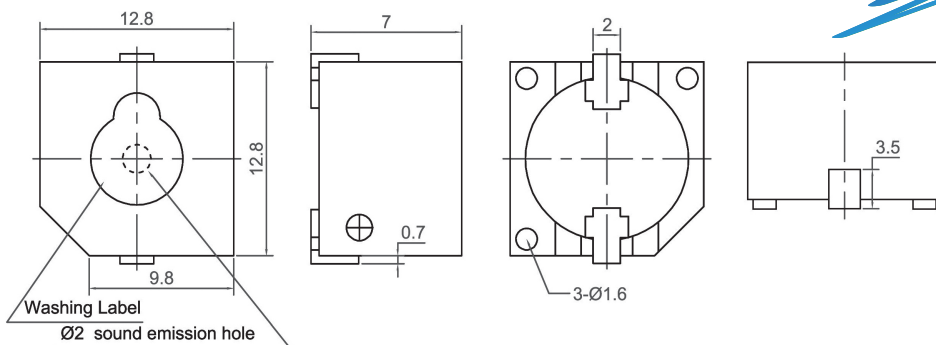


Magnetic Buzzer (DC)



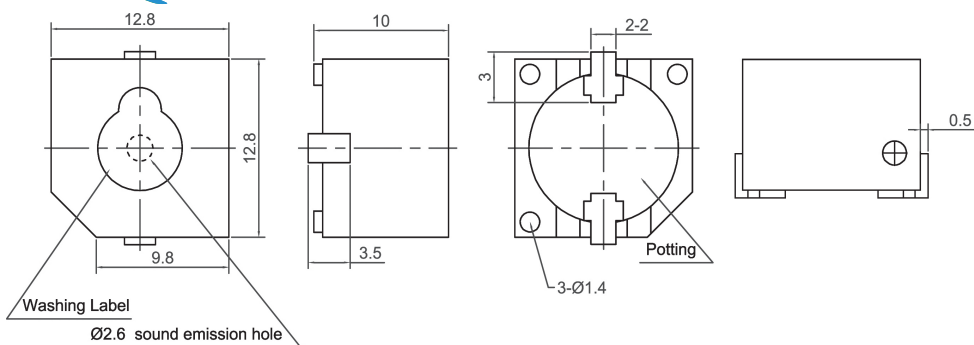
CSMB1307

Canopus Part no.	Operating Voltage (VDC)	Rated Voltage (VDC)	Max Rated Current (mA)	Min Sound Output (dBA)	Resonant Frequency (Hz)	Tone Nature	Operating Temperature (°C)	Housing	Terminal	Weight (g)
CSMB1307EC24L	4 ~ 7	5	30	88 at 10cm	2400±300	Continuous	-40 ~ +85	PPS	SMD	2
CSMB1307HC24L	8 ~ 15	12	30	85 at 10cm	2400±300	Continuous	-20 ~ +70	PPS	SMD	2

CANOPUS



CSMB1310



Canopus Part no.	Operating Voltage (VDC)	Rated Voltage (VDC)	Max Rated Current (mA)	Min Sound Output (dBA)	Resonant Frequency (Hz)	Tone Nature	Operating Temperature (°C)	Housing	Terminal	Weight (g)
CSMB1310AC24L	1.3 ~ 4	1.5	20	75 at 10cm	2400±400	Continuous	-20 ~ +70	PPS	SMD	2
CSMB1310EC23L	4 ~ 7	5	30	85 at 10cm	2300 ±300	Continuous	-20 ~ +85	PPS	SMD	2
CSMB1310HC23L	8 ~ 15	12	30	85 at 10cm	2300 ±300	Continuous	-20 ~ +70	PPS	SMD	2