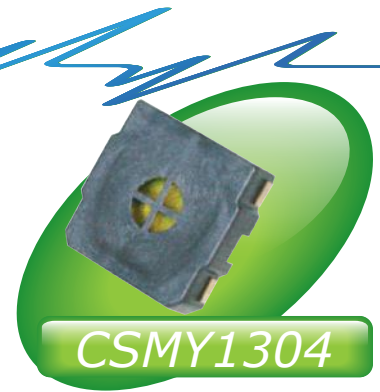
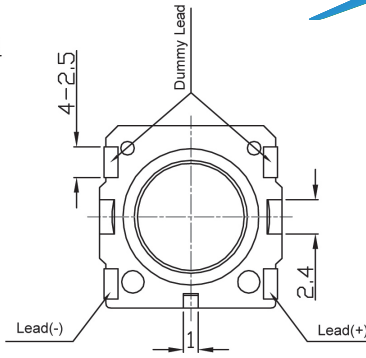
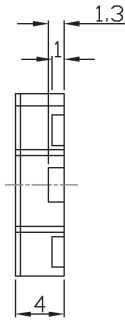
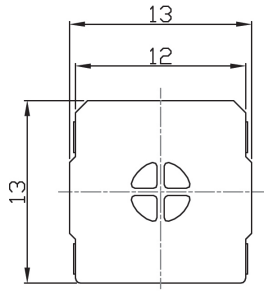
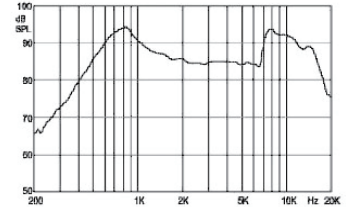


# SMD Speaker

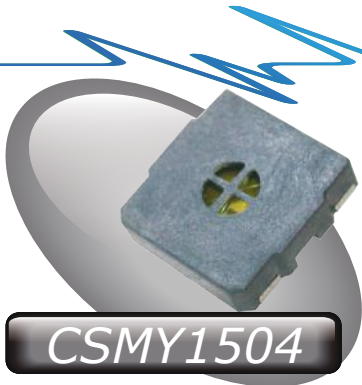


**CSMY1304**

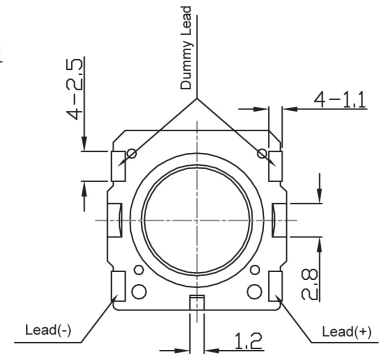
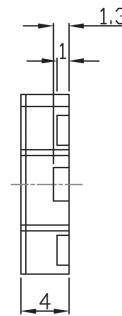
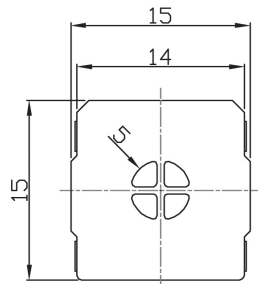
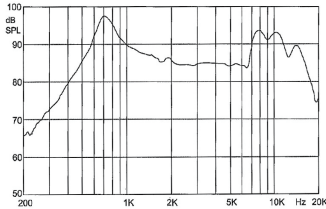


Canopus Part no.	Sound Output (dB)	AC Impedance (Ω)	Rated Power (W)	Max. Power (W)	Resonance Frequency (f <sub>0</sub> ) (Hz)	Respose Frequency f <sub>0</sub> ~ (Hz)	Housing	Terminal	Weight (g)
CSMY1304A085LQ	88 ± 3	8 ± 20%	0.7	1	850	850 ~ 20K	LCP	SMD	1.4

**CANOPUS**



**CSMY1504**



Canopus Part no.	Sound Output (dB)	AC Impedance (Ω)	Rated Power (W)	Max. Power (W)	Resonance Frequency (f <sub>0</sub> ) (Hz)	Respose Frequency f <sub>0</sub> ~ (Hz)	Housing	Terminal	Weight (g)
CSMY1504A080LQ	87 ± 3	8 ± 20%	0.5	0.8	800	800 ~ 20K	LCP	SMD	1.5