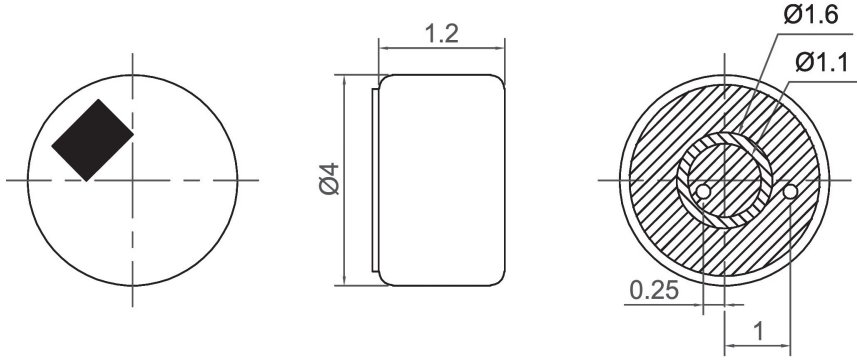
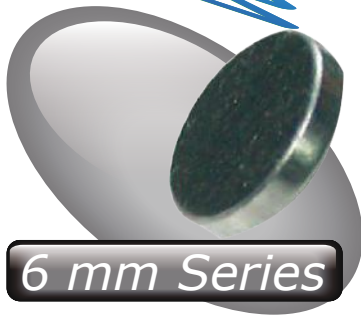
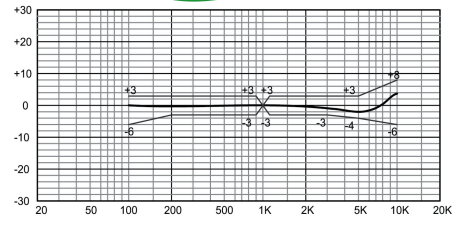


Electret Condenser Microphone (ECM)

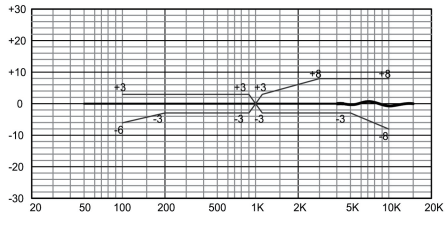
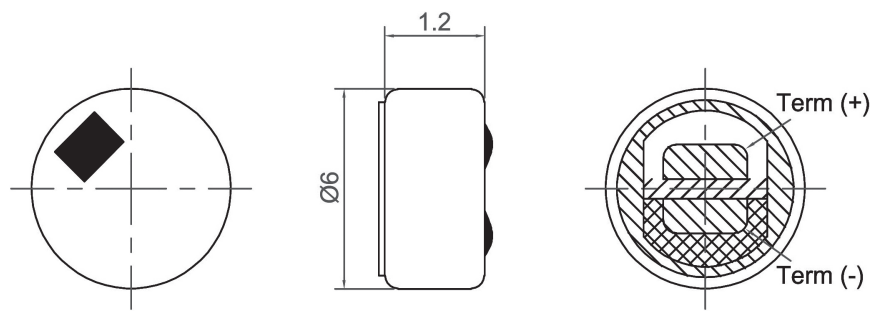
CANOPUS



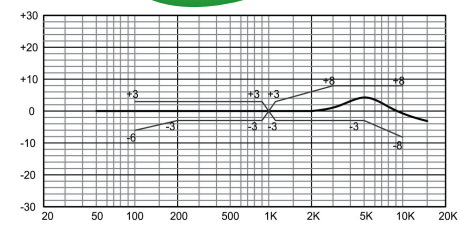
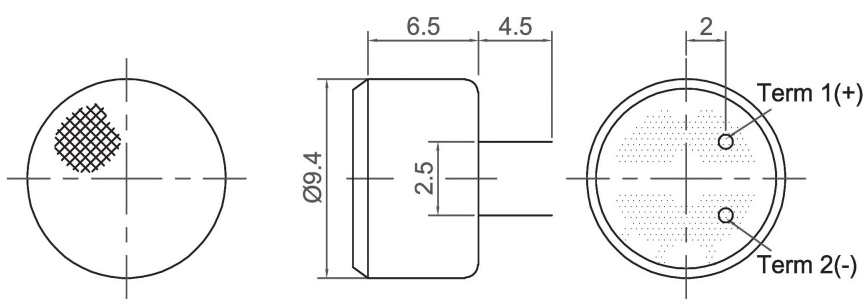
3,4mm Series



6 mm Series



9 mm Series



Electret

Condenser Microphone (ECM)



Omni-Directional

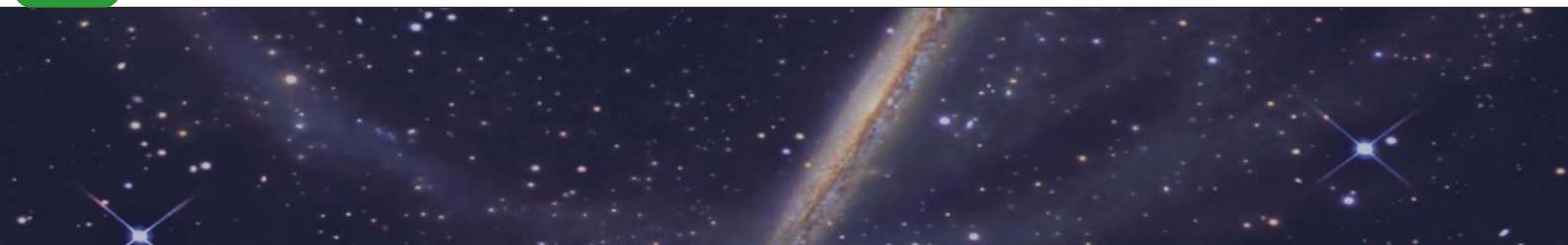
CANOPUS

Series	Canopus Part no.	Diameter (mm)	Height (mm)	Standard Power Supply (Vs) (V)	Resistance Loading (RL) (Ω)	Sensitivity at 1K Hz (0dB = 1V/Pa)	Max Current (mA)	Frequency Range (Hz)	SN Ratio (dB)	Housing	Terminal	Page
CO4012	CO4012/ C4012 - F	φ 4	1.2	1.5, 2, 3	2.2 K	(-42, -44, -46) ± 3	0.5	100 - 10000	> 60	Aluminum	Bull Eye, Solder Pad, Leadwire, Pin	P 90
CO4015	CO4015/CO4015 - F	φ 4	1.5	1.5, 2, 3	2.2 K	(-42, -44, -46) ± 3	0.5	100 - 10000	> 60	Aluminum	Bull Eye, Solder Pad, Leadwire, Pin	P 90
CO4530	CO4530	φ 4.5	3	1.5, 2, 3	2.2 K	(-42, -44, -46, 50) ± 3	0.5	50 - 16000	> 60	Aluminum	Bull Eye, Solder Pad, Leadwire, Pin	P 90
CO5822	CO5822 - F	φ 5.8	2.2	1.5, 2, 3	2.2 K	(-40, -42, -44, 46) ± 3	0.5	50 - 16000	> 60	Aluminum	Bull Eye, Solder Pad, Leadwire, Pin	P 90
CO6012	CO6012	φ 6	1.2	1.5, 2, 3	2.2 K	(-40, -42, -44, 46) ± 3	0.5	100 - 10000	> 60	Aluminum	Bull Eye, Solder Pad, Leadwire, Pin	P 90
CO6015	CO6015	φ 6	1.5	1.5, 2, 3	2.2 K	(-40, -42, -44, 46) ± 3	0.5	50 - 16000	> 60	Aluminum	Bull Eye, Solder Pad, Leadwire, Pin	P 90
CO6016	CO6016/CO6016 - F	φ 6	1.6	1.5, 2, 3	2.2 K	(-40, -42, -44, 46) ± 3	0.5	50 - 16000	> 60	Aluminum	Bull Eye, Solder Pad, Leadwire, Pin	P 90
CO6018	CO6018	φ 6	1.8	1.5, 2, 3	2.2 K	(-40, -42, -44, 46) ± 3	0.5	50 - 16000	> 60	Aluminum	Bull Eye, Solder Pad, Leadwire, Pin	P 90
CO6022	CO6022	φ 6	2.2	1.5, 2, 3	2.2 K	(-36, -38, -40, -42, -44, 46) ± 3	0.5	50 - 16000	> 60	Aluminum	Bull Eye, Solder Pad, Leadwire, Pin	P 91
CO6027	CO6027	φ 6	2.7	1.5, 2, 3	2.2 K	(-36, -38, -40, -42, -44, 46) ± 3	0.5	50 - 16000	> 60	Aluminum	Bull Eye, Solder Pad, Leadwire, Pin	P 91
CO6030	CO6030	φ 6	3	1.5, 2, 3	1K, 1.5K, 2.2K	(-36, -38, -40, -42, -44, 46) ± 3	0.5	50 - 16000	> 60	Aluminum	Solder Pad, Leadwire, Pin	P 91
CO6035	CO6035	φ 6	3.5	1.5, 2, 3	1K, 1.5K, 2.2K	(-36, -38, -40, -42, -44, 46) ± 3	0.5	50 - 16000	> 60	Aluminum	Solder Pad, Leadwire, Pin	P 91
CO6050	CO6050	φ 6	5	1.5, 2, 3, 4.5	1K, 1.5K, 2.2K	(-36, -38, -40, -42, -44, 46) ± 3	0.5	50 - 16000	> 60	Aluminum	Solder Pad, Leadwire, Pin	P 91
CO8050	CO8050	φ 8	5	1.5, 2, 3, 4.5	1K, 1.5K, 2.2K	(-36, -38, -40, -42, -44, 46) ± 3	0.5	50 - 16000	> 60	Aluminum	Solder Pad, Leadwire, Pin	P 91
CO9465	CO9465	φ 9.4	6.5	1.5, 2, 3, 4.5	60, 1K, 1.5K, 2.2K	(-36, -38, -40, -42, -44, 46) ± 3	0.5	50 ~ 16000	> 60	Aluminum	Solder Pad, Leadwire, Pin	P 91
CO9745	CO9745/CO9745 - F	φ 9.7	4.5	1.5, 2, 3, 4.5	60, 1K, 1.5K, 2.2K	(-36, -38, -40, -42, -44, 46) ± 3	0.5	50 ~ 16000	> 60	Aluminum	Solder Pad, Leadwire, Pin	P 91
CO9750	CO9750	φ 9.7	5	1.5, 2, 3, 4.5	60, 1K, 1.5K, 2.2K	(-36, -38, -40, -42, -44, 46) ± 3	0.5	50 ~ 16000	> 60	Aluminum	Solder Pad, Leadwire, Pin	P 91
CO9767	CO9767	φ 9.7	6.7	1.5, 2, 3, 4.5	60, 1K, 1.5K, 2.2K	(-36, -38, -40, -42, -44, 46) ± 3	0.5	50 ~ 16000	> 60	Aluminum	Solder Pad, Leadwire, Pin	P 91
CO1055	CO1055 - F	φ 10	5.5	1.5, 2, 3, 4.5	60, 1K, 1.5K, 2.2K	(-38, -40, -42, -44, 46) ± 3	0.5	50 - 16000	> 60	Aluminum	Solder Pad, Leadwire, Pin	P 91



Back Electret

Series	Canopus Part no.	Diameter (mm)	Height (mm)	Standard Power Supply (Vs) (V)	Resistance Loading (RL) (Ω)	Sensitivity at 1K Hz (0dB = 1V/Pa)	Max Current (mA)	Frequency Range (Hz)	SN Ratio (dB)	Housing	Terminal	Page
COB3015	COB3015	φ 3	1.5	1.5, 2, 3	2.2 K	(-42, -44, -46) ± 3	0.5	100 - 10000	> 60	Aluminum	Solder Pad, Leadwire	P 90
COB4015	COB4015	φ 4	1.5	1.5, 2, 3	2.2 K	(-42, -44, -46) ± 3	0.5	100 - 10000	> 60	Aluminum	Bull Eye, Solder Pad, Leadwire, Pin	P 90
CSOB4518	CSOB4518 - F	φ 4.5	1.8	1.5, 2, 3	2.2 K	(-42, -44, -46) ± 3	0.5	50 - 16000	> 60	Aluminum	SMD	P 90
CSOB4818	CSOB4818 - F	4.8x4.8	1.8	1.5, 2, 3	2.2 K	(-42, -44, -46) ± 3	0.5	50 - 16000	> 60	Aluminum	SMD	P 90
CSOB5018	CSOB5018 - F	5x4.2	1.8	1.5, 2, 3	2.2 K	(-42, -44, -46) ± 3	0.5	50 - 16000	> 55	Aluminum	SMD	P 90
COB6022	COB6022	φ 6	2.2	1.5, 2, 3	2.2 K	(-36, -38, -40, -42, -44, 46) ± 3	0.5	50 - 16000	> 60	Aluminum	Bull Eye, Solder Pad, Leadwire, Pin	P 91
COB6027	COB6027	φ 6	2.7	1.5, 2, 3	2.2 K	(-36, -38, -40, -42, -44, 46) ± 3	0.5	50 - 16000	> 60	Aluminum	Bull Eye, Solder Pad, Leadwire, Pin	P 91
COB6035	COB6035	φ 6	3.5	1.5, 2, 3	1K, 1.5K, 2.2K	(-36, -38, -40, -42, -44, 46) ± 3	0.5	50 - 16000	> 60	Aluminum	Solder Pad, Leadwire, Pin	P 91
COB6050	COB6050	φ 6	5	1.5, 2, 3, 4.5	1K, 1.5K, 2.2K	(-36, -38, -40, -42, -44, 46) ± 3	0.5	50 - 16000	> 60	Aluminum	Solder Pad, Leadwire, Pin	P 91
CSOB6416	CSOB6416 - F	6.4x6.4	1.6	1.5, 2, 3	2.2 K	(-42, -44, -46) ± 3	0.5	50 - 16000	> 60	Aluminum	SMD	P 91
CSOB6016	CSOB6016 - F	φ 6	1.6	1.5, 2, 3	2.2 K	(-42, -44, -46) ± 3	0.5	50 - 16000	> 60	Aluminum	SMD	P 91



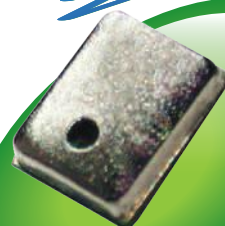
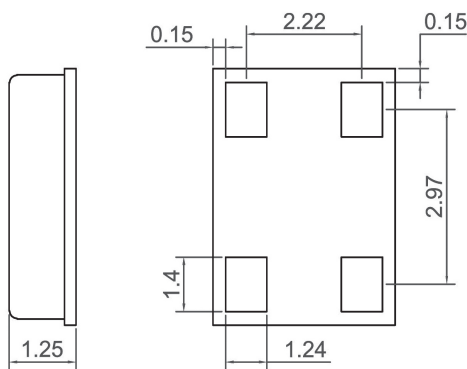
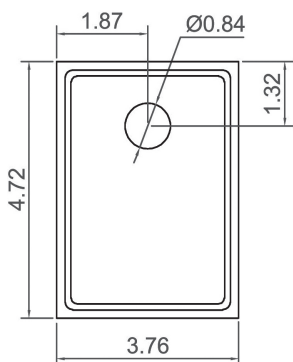
Silicon & Electret Condenser Microphone (ECM)

Uni-Directional

Series	Canopus Part no.	Diameter (mm)	Height (mm)	Standard Power Supply (Vs) (dB)	Resistance Loading (RL) (Ω)	Sensitivity at 1K Hz (0dB = 1V/Pa)	Max. Current (mA)	Frequency Range (Hz)	SN Ratio (dB)	Page
CU5842	CU5842	∅ 5.8	4.2	1.5, 2, 3	2K	(-42, -44, -47) ± 3	0.5	100 ~ 10000	> 55	P90
CU6022	CU6022	∅ 6	2.2	1.5, 2, 3	2.2K	(-44, -46, -50) ± 3	0.5	100 ~ 10000	> 55	P91
CU6030	CU6030	∅ 6	3	1.5, 2, 3	2.2K	(-44, -46, -50) ± 3	0.5	100 ~ 10000	> 55	P91
CU6035	CU6035	∅ 6	3.5	1.5, 2, 3	2.2K	(-44, -46, -50) ± 3	0.5	100 ~ 10000	> 55	P91
CU6050	CU6050	∅ 6	5	1.5, 2, 3	2.2K	(-44, -46, -50) ± 3	0.5	100 ~ 10000	> 55	P91
CU8050	CU8050	∅ 8	5	1.5, 2, 3	2.2K	(-40, -42, -44, -46) ± 3	0.5	100 ~ 10000	> 55	P91
CU9745	CU9745	∅ 9.7	4.5	1.5, 2, 3, 4.5	680, 1K, 1.5K, 2.2K	(-40, -42, -44, -46) ± 3	0.5	100 ~ 10000	> 55	P91
CU9750	CU9750	9.7	5	1.5, 2, 3, 4.5	680, 1K, 1.5K, 2.2K	(-40, -42, -44, -46, -50) ± 3	0.5	100 ~ 10000	> 55	P91

Back Electret

Series	Canopus Part no.	Diameter (mm)	Height (mm)	Standard Power Supply (Vs) (dB)	Resistance Loading (RL) (Ω)	Sensitivity at 1K Hz (0dB = 1V/Pa)	Max. Current (mA)	Frequency Range (Hz)	SN Ratio (dB)	Page
CN4530	CN4530	∅ 4.5	3	1.5, 2, 3	2.2K	(-46, -50, -54) ± 3 (at L = 50cm)	0.5	100 ~ 10000	> 55	P90
CN6022	CN6022	∅ 6	2.2	1.5, 2, 3	2.2K	(-46, -50, -54) ± 3 (at L = 50cm)	0.5	100 ~ 10000	> 55	P91
CN6027	CN6027	∅ 6	2.7	1.5, 2, 3	2.2K	(-42, -44, -46, -50, -54) ± 3 (at L = 50cm)	0.5	100 ~ 10000	> 55	P91
CN6035	CN6035	∅ 6	3.5	1.5, 2, 3	2.2K	(-46, -50, -54) ± 3 (at L = 50cm)	0.5	100 ~ 10000	> 55	P91
CN6050	CN6050	∅ 6	5	1.5, 2, 3	2.2K	(-46, -50, -54) ± 4 (at L = 50cm)	0.5	100 ~ 10000	> 55	P91
CN9750	CN9750	∅ 9.7	5	1.5, 2, 3, 4.5	680, 1K, 1.5K, 2.2K	(-46, -50, -54) ± 4 (at L = 50cm)	0.5	100 ~ 10000	> 55	P91



CSM4712

Canopus Part no.	Directivity	Standard Power Supply (Vs) (V)	Resistance Loading (RL) (Ω)	Sensitivity at 1K Hz (0dB = 1V/Pa)	Max Current (mA)	Frequency Range (Hz)	SN Ratio (dB)	Housing	Terminal
CSM4712	Omnidirectional	2.2	2.2K	(-40, -42) ± 3	0.2	100 ~ 16000	> 55	Ni Plated Copper	SMD

