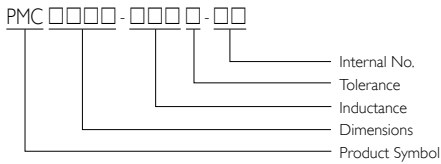


DIP Power Inductors

PMC Series



PRODUCT IDENTIFICATION



- Tolerance: J = ±5%, K = ±10%, L = ±15%, M = ±20%,
P = ±25%, N = ±30%, Y = min
- Internal No.: HF = Halogen Free

APPLICATIONS

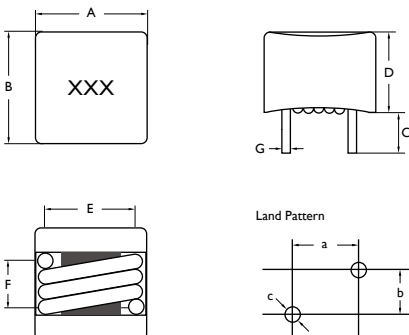
Excellent for power lines used on DC-DC conversion applications i.e. power switching, personal computers and handheld devices.

FEATURES

- Halogen Free products
- Shielded construction
- Lowest DCR/μH, in this package size
- Handles high transient current spikes without saturation

SHAPES AND DIMENSIONS

Unit: mm



TYPE	A	B	C	D	E	F	G	a	b	c
PMC107	11.5 ⁺⁰	11.5 ⁺⁰	3.4 ± 0.5	8.6 ⁺⁰	8.50 ± 0.5	3.5 ± 0.5	1.3 ± 0.1	8.5	3.5	1.7
PMC109	11.5 ⁺⁰	11.5 ⁺⁰	3.4 ± 0.5	10 ⁺⁰	8.50 ± 0.5	3.5 ± 0.5	1.1 ± 0.1	8.5	3.5	1.5
PMC115	11.5 ⁺⁰	11.5 ⁺⁰	3.4 ± 0.5	15 ⁺⁰	8.50 ± 0.5	3.5 ± 0.5	1.4 ± 0.1	8.5	3.5	1.8
PMC127	14.0 ⁺⁰	14.0 ⁺⁰	3.4 ± 0.5	8.5 ⁺⁰	11.5 ± 0.5	6.5 ± 0.5	1.1 ± 0.1	11.5	6.5	1.5
PMC129	14.0 ⁺⁰	14.0 ⁺⁰	3.4 ± 0.5	10 ⁺⁰	11.5 ± 0.5	6.5 ± 0.5	1.1 ± 0.1	11.5	6.5	1.5

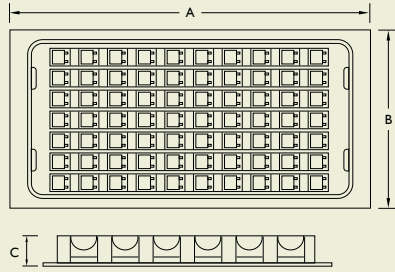
ELECTRICAL CHARACTERISTICS

PART NO.	INDUCTANCE (μ H)	TOLERANCE (\pm %)	TEST FREQUENCY (KHz)	DC RESISTANCE (m Ω) \pm 10%	Isat (A) Max.	Irms (A) Max.
PMC107-R25M-HF	0.25	20	100	0.56	40.0	36.0
PMC107-R40M-HF	0.40	20	100	0.61	40.0	36.0
PMC107-R50M-HF	0.50	20	100	0.93	40.0	37.0
PMC109-R47M-HF	0.47	20	100	1.10	35.0	31.5
PMC109-R50M-HF	0.50	20	100	0.97	35.0	31.5
PMC109-1R2M-HF	1.20	20	100	1.15	25.0	22.5
PMC109-2R2M-HF	2.20	20	100	3.05	20.0	18.0
PMC115-R70M-HF	0.70	20	100	1.12	40.0	36.0
PMC127-R60M-HF	0.60	20	100	0.81	40.0	36.0
PMC127-1R0M-HF	1.00	20	100	1.38	38.0	35.0
PMC127-1R2M-HF	1.20	20	100	1.75	32.0	30.0
PMC127-1R5M-HF	1.50	20	100	2.08	32.0	28.0
PMC127-2R2M-HF	2.20	20	100	2.81	28.0	34.0
PMC127-3R3M-HF	3.30	20	100	2.81	10.0	9.00
PMC129-R30M-HF	0.30	20	100	0.45	40.0	36.0
PMC129-R50M-HF	0.50	20	100	0.74	40.0	36.0
PMC129-R60M-HF	0.60	20	100	0.73	40.0	36.0
PMC129-R90M-HF	0.90	20	100	1.13	30.0	50.0
PMC129-1R0M-HF	1.00	20	100	1.48	30.0	27.0
PMC129-1R2M-HF	1.20	20	100	1.86	30.0	27.0
PMC129-1R5M-HF	1.50	20	100	2.13	25.0	21.5
PMC129-2R2M-HF	2.20	20	100	2.44	20.0	18.0
PMC129-3R3M-HF	3.30	20	100	2.96	15.0	13.5
PMC129-4R7M-HF	4.70	20	100	5.10	8.00	7.20



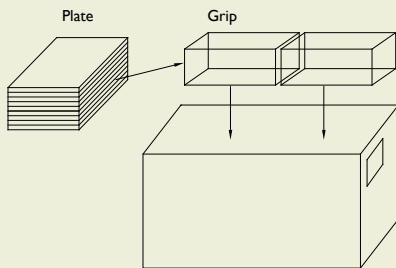
PLATE DIMENSIONS

Unit: mm



TYPE	A	B	C
PMC107	251	138	13.00
PMC109	251	138	13.00
PMC115	251	138	13.00
PMC127	251	138	16.00
PMC129	251	138	16.00

PACKAGING QUANTITY



TYPE	BULK	QTY/PLATE	PLATE/GRIP	GRIP	BOX
PMC107	v	60	8	2	960
PMC109	v	60	8	2	960
PMC115	v	50	8	2	800
PMC127	v	60	5	2	600
PMC129	v	60	5	2	600