



SBS6025 SERIES ~ Shielded SMD Power Inductors



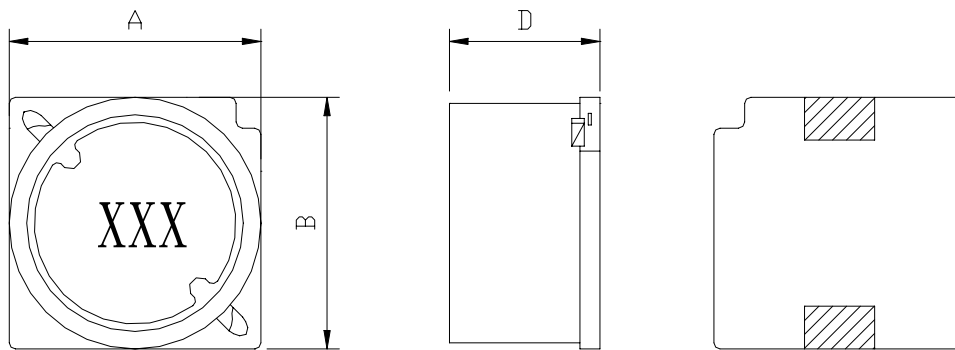
PART NUMBERING SYSTEM

RoHS Compliant

SBS	6025	—	100M	—	LF
TYPE	DIMENSIONS		INDUCTANCE		LEAD FREE

SHAPES AND DIMENSIONS

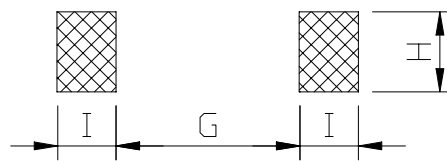
UNIT : mm



A=6.2 Max. B=6.2 Max. D=2.7 Max.

RECOMMENDED PATTERNS

UNIT : mm



G=4.0 H=2.2 I=1.5

FEATURES

- Low profile (6.2mm Max. square , 2.7mm Max. height)
- Magnetically shielded construction
- Suitable for large current
- Ideal for a variety of DC-DC converter inductor applications .
- RoHS compliant .



Coilmaster Electronics Co., Ltd.

9F-3 No.398, Huan Bei Rd. Chung Li City, Taoyuan 320, Taiwan
Tel : +886-3-422-8279 Fax : +886-3-422-8734

E-mail : info@coilmaster.com.tw
Web Site : www.coilmaster.com.tw

SBS6025 SERIES ~ Shielded SMD Power Inductors



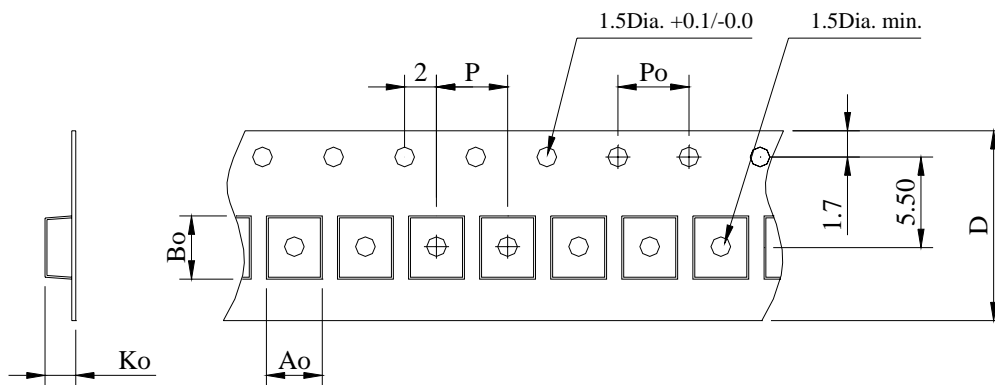
RoHS Compliant

SPECIFICATION TABLE

PART NUMBER	INDUCTANCE (μ H)	DCR (Ω) (max)	Isat (A) (Max.)	Irms (A) (Max.)	TEST FREQ. (f)
SBS6025-4R7M-LF	4.7 \pm 20%	0.0367	1.5	1.5	100KHz
SBS6025-6R8M-LF	6.8 \pm 20%	0.0531	1.3	1.5	100KHz
SBS6025-100M-LF	10 \pm 20%	0.0688	1.0	1.3	100KHz
SBS6025-150M-LF	15 \pm 20%	0.102	0.88	1.1	100KHz
SBS6025-220M-LF	22 \pm 20%	0.146	0.73	0.94	100KHz
SBS6025-330M-LF	33 \pm 20%	0.216	0.59	0.79	100KHz
SBS6025-470M-LF	47 \pm 20%	0.288	0.48	0.67	100KHz
SBS6025-680M-LF	68 \pm 20%	0.444	0.42	0.54	100KHz
SBS6025-101M-LF	100 \pm 20%	0.600	0.33	0.47	100KHz

- Isat : DC current at which the inductance drops 30% (typ) from its value without current.
- Irms: The actual current when temperature of coil becomes $\Delta 40^{\circ}\text{C}$. ($T_a = +25^{\circ}\text{C}$)
- Operating temperature range -40°C to $+85^{\circ}\text{C}$,
- Electrical specifications at 25°C .

PACKAGING SPECIFICATION



STAYLE	Q' TY (PCS)	DIMENSIONS (m/m)					
		A_o	B_o	K_o	P	P_o	$D \pm 0.3$
13"	1,000	6.50	6.50	3.20	8.00	4.00	12.0