

## DH series

### Thumb wheel rotary code switches

Surface mount



- 10 position Thumb wheel switch with operating crown
- For right and left side of PCB's
- Surface mount
- Perfect for slim housings: 13mm diameter, 6mm wide

DH	□	□	□	□
SERIES	Codes	PCB Mounting	Contact Pins	Printing
	101A BCD 10 pos	R Right L Left	SMT Surface Mount	001 w/ crown - white printing 1-10 002 w/out crown - white printing 1-10 003 w/ crown - white printing 0-9 004 w/out crown - white printing 0-9

ELECTRICAL SPECIFICATIONS	
• Operating voltage : 42VDC max.	
• Contact load, static : 400mA max.	
• Contact load, dynamic : 100mA max.	
• Initial contact resistance : 80mΩ max.	
• Insulation resistance : 100MΩ min.	

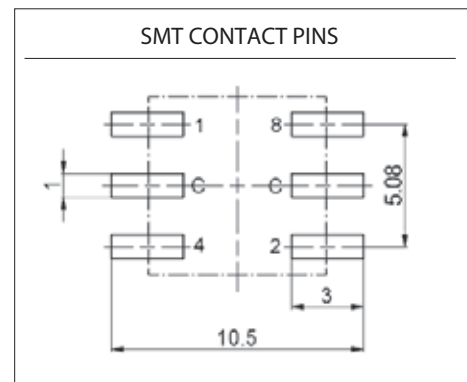
MECHANICAL AND THERMAL SPECS	
• Torque : 1.2 Ncm min. ± 0.2	
• Expected life : 25,000 steps min.	
• Operating temperature : -50°C (-58°F) to +125°C (257°F)	
• Positions: 10	

MATERIALS	
• Base : UL94-V0, high temperature thermoplastic	
• Cover : Stainless steel	
• Thumb wheel: UL94-V0, high temperature thermoplastic	
• Actuator : UL94-V0, high temperature thermoplastic	
• Washer: Stainless steel	
• Contacts : Gold over nickel plated copper alloy	
• Terminals : Tin plated	

SOLDER RECOMMENDATIONS	
• Reflow soldering : 260°C (500°F) max. for 10 seconds max	

PACKAGING	
• Tape & Reel: Surface mount, 500 pcs. (700 pcs. without operating crown)	

CODES																																																																																																																																					
<table border="1"> <thead> <tr> <th colspan="2">BCD 10 POSITION - LEFT</th> </tr> <tr> <th colspan="2">TERMINALS</th> </tr> <tr> <th></th> <th>C 1 2 4 8</th> </tr> </thead> <tbody> <tr><td>0</td><td>●</td><td></td><td></td><td></td><td>1</td></tr> <tr><td>1</td><td>●</td><td>●</td><td></td><td></td><td>2</td></tr> <tr><td>2</td><td>●</td><td></td><td></td><td></td><td>3</td></tr> <tr><td>3</td><td>●</td><td>●</td><td>●</td><td></td><td>4</td></tr> <tr><td>4</td><td>●</td><td></td><td>●</td><td>●</td><td>5</td></tr> <tr><td>5</td><td>●</td><td>●</td><td></td><td>●</td><td>6</td></tr> <tr><td>6</td><td>●</td><td></td><td>●</td><td></td><td>7</td></tr> <tr><td>7</td><td>●</td><td>●</td><td>●</td><td></td><td>8</td></tr> <tr><td>8</td><td>●</td><td></td><td>●</td><td></td><td>9</td></tr> <tr><td>9</td><td>●</td><td>●</td><td></td><td></td><td>10</td></tr> </tbody> </table>	BCD 10 POSITION - LEFT		TERMINALS			C 1 2 4 8	0	●				1	1	●	●			2	2	●				3	3	●	●	●		4	4	●		●	●	5	5	●	●		●	6	6	●		●		7	7	●	●	●		8	8	●		●		9	9	●	●			10	<table border="1"> <thead> <tr> <th colspan="2">BCD 10 POSITION - RIGHT</th> </tr> <tr> <th colspan="2">TERMINALS</th> </tr> <tr> <th></th> <th>C 1 2 4 8</th> </tr> </thead> <tbody> <tr><td>0</td><td>●</td><td></td><td></td><td></td><td>1</td></tr> <tr><td>9</td><td>●</td><td>●</td><td></td><td></td><td>2</td></tr> <tr><td>8</td><td>●</td><td></td><td>●</td><td></td><td>3</td></tr> <tr><td>7</td><td>●</td><td>●</td><td>●</td><td></td><td>4</td></tr> <tr><td>6</td><td>●</td><td></td><td>●</td><td></td><td>5</td></tr> <tr><td>5</td><td>●</td><td>●</td><td></td><td>●</td><td>6</td></tr> <tr><td>4</td><td>●</td><td></td><td>●</td><td>●</td><td>7</td></tr> <tr><td>3</td><td>●</td><td>●</td><td>●</td><td>●</td><td>8</td></tr> <tr><td>2</td><td>●</td><td></td><td></td><td></td><td>9</td></tr> <tr><td>1</td><td>●</td><td>●</td><td></td><td>●</td><td>10</td></tr> </tbody> </table>	BCD 10 POSITION - RIGHT		TERMINALS			C 1 2 4 8	0	●				1	9	●	●			2	8	●		●		3	7	●	●	●		4	6	●		●		5	5	●	●		●	6	4	●		●	●	7	3	●	●	●	●	8	2	●				9	1	●	●		●	10
BCD 10 POSITION - LEFT																																																																																																																																					
TERMINALS																																																																																																																																					
	C 1 2 4 8																																																																																																																																				
0	●				1																																																																																																																																
1	●	●			2																																																																																																																																
2	●				3																																																																																																																																
3	●	●	●		4																																																																																																																																
4	●		●	●	5																																																																																																																																
5	●	●		●	6																																																																																																																																
6	●		●		7																																																																																																																																
7	●	●	●		8																																																																																																																																
8	●		●		9																																																																																																																																
9	●	●			10																																																																																																																																
BCD 10 POSITION - RIGHT																																																																																																																																					
TERMINALS																																																																																																																																					
	C 1 2 4 8																																																																																																																																				
0	●				1																																																																																																																																
9	●	●			2																																																																																																																																
8	●		●		3																																																																																																																																
7	●	●	●		4																																																																																																																																
6	●		●		5																																																																																																																																
5	●	●		●	6																																																																																																																																
4	●		●	●	7																																																																																																																																
3	●	●	●	●	8																																																																																																																																
2	●				9																																																																																																																																
1	●	●		●	10																																																																																																																																

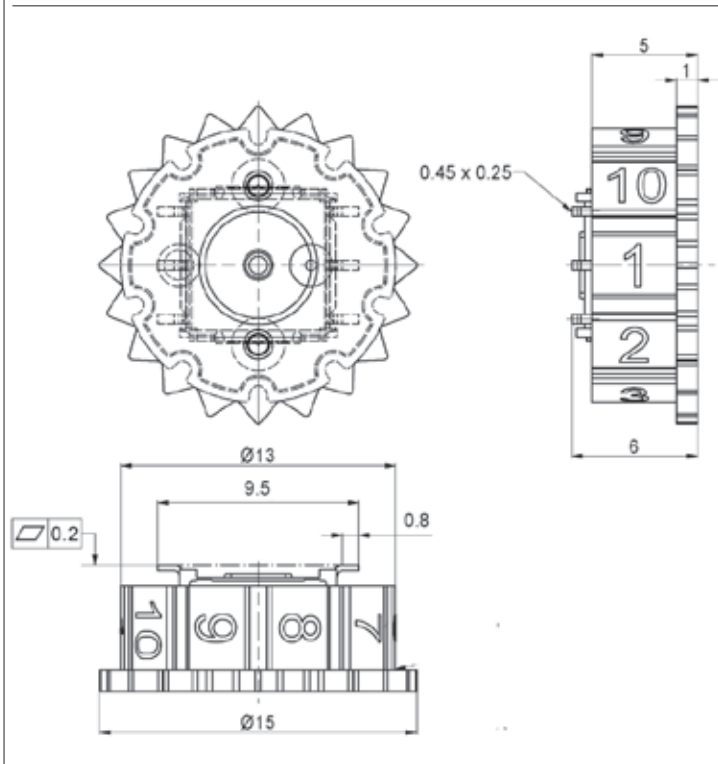


# DH series

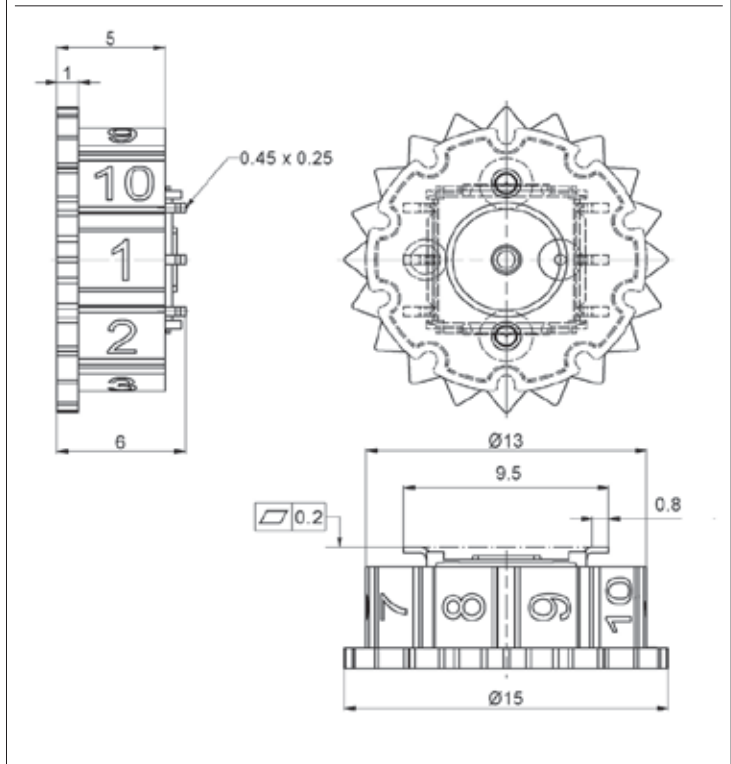
Surface mount

## DIMENSIONS

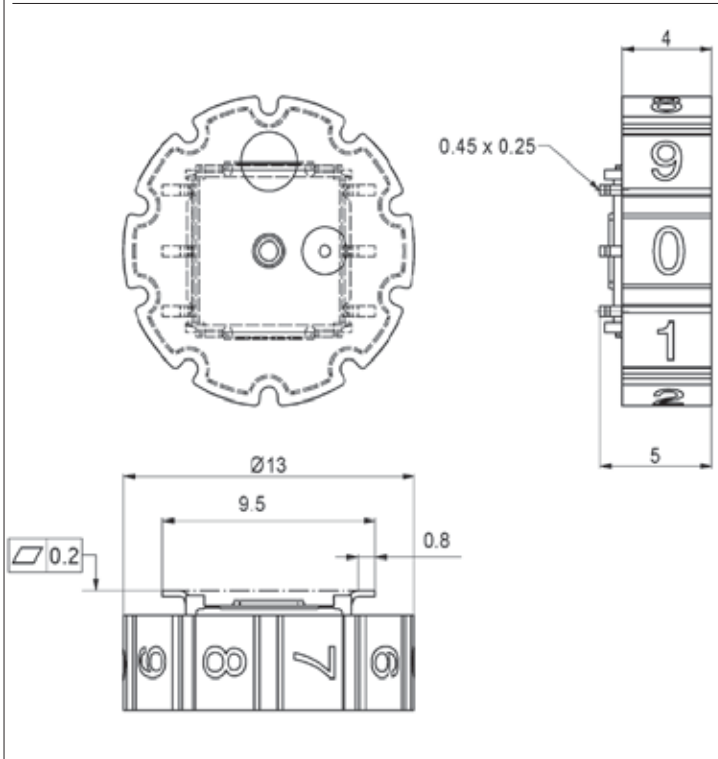
PCB LEFT - WITH OPERATING CROWN



PCB RIGHT - WITH OPERATING CROWN



PCB LEFT - WITHOUT OPERATING CROWN



PCB RIGHT - WITHOUT OPERATING CROWN

